



20 m'te kadar ileriye açılım
Projections up to 20 m
Salida hasta 20 m
Projection maximum 20 mètres
Projektionen bis zu 20 m



Tr Alev yürütmez ve %100 su geçirmez mimari blackout membran kumaş, maksimum stabilite ve sıcaklık, nem ve kir direnci sağlıyor. Üretim teknolojisi ile eşit esneme özelliğine sahip ve torbalanma yapmıyor. Akrilik üst kaplama, sonraki yıllar için temizlemeyi ve bakımı kolaylaştırıyor. Sistemdeki alüminyum koruma çatısı, kumaş kullanılmadığında koruma sağladığından kumaşın ömrü kısalıyor.

En The fire rated and 100% waterproof architectural membrane fabric is available in a range of colours in both opaque and transparent that provides maximum stability and resistance to temperature, moisture and dirt. It does not shrink or bag, and the acrylic top coating makes it very easy to clean for years to come. When not in use the fabric is neatly retracted under the systems hood to provide protection from the elements when not required.

Es La lona, de fabricación y resistente al fuego e impermeable, está disponible en varios colores ya sea opaca o traslúcida, que proporciona la máxima estabilidad y resistencia a la temperatura, humedad y suciedad. No se encoge ni deforma, y el recubrimiento acrílico facilita su limpieza durante años. Cuando no está en uso la lona se recoge bajo un tejadillo que proporciona protección de los agentes externos.

Fr La toile de fabrication résiste au feu et est imperméable, elle est disponible dans plusieurs coloris qu'elle soit opaque ou transparente, ce qui assure stabilité et résistance au changements de température, humidité et salissures. Elle ne se plie pas ni se déforme, et le revêtement acrylique facilite le nettoyage au cours des années. Quand la toile est repliée, elle est abritée par un auvent de protection afin d'éviter les agressions externes.

De Feuerschutz- und 100% Wasserdicht Architektonischen Membran Stoff ist in verschiedenen Farben sowohl in opaken und transparenten, dass ein Maximum an Stabilität und Beständigkeit gegen Temperatur, Feuchtigkeit und schmutz bietet. Es schrumpft nicht oder und bildet kein wassersack, und die Acryl-Beschichtung macht es sehr einfach, für die kommenden Jahre zu reinigen. Beim eingefahrener zustand, wenn nicht in Gebrauch ist das Gewebe ordentlich unter die Systeme Haube geschützt.





Güneş kırıcı panel, sistem kapandığında ilave gölge ve modern mimari görüntü sağlar.

The addition of Aerofoil louvres can provide added shade when the system is closed.

La incorporación de lamas Aerofoil pueden ofrecer mayor sombra cuando el elemento está recogido.

L'incorporation des lames Aerofoil permettent d'offrir plus d'espace ombragé quand la toile est repliée.

Louvre-Panels, wird das System sorgt für zusätzliche Schatten verwandelt.









Entegre edilmiş aydınlatma çözümleri (Opsiyonel)

Integrated lighting solution (Optional)

Sistema de iluminación integrado (Opcional)

Système d'éclairage intégré (Option)

Integrierte Beleuchtung-Lösung (Optional)



22 mt'ye kadar ileriye açılım
Projections up to 22 mt
Salida hasta 22 m
Projection maximum 22 mètres
Projektionen bis zu 22 m





Etrafa katlanır cam, parapet, cam kapı uygulanabilirlik
Option to add side walls, panels, doors
Posibilidad de incorporar cierres laterales
Possibilité d'incorporer des fermetures latérales et frontales
Option, um Seitenwände, Paneels, Türen







Tr Sistemin hareketi, Suntech F3 taşıyıcı arabaların ray içerisinde mevcut "trigger gergi sistemi" ile ileri-geri hareket etmesiyle sağlanıyor. Sekiz tekerlekli patentli Suntech F3 taşıyıcı arabada, mevcut 4 dikey-4 yatay eksenli tekerlek sistemi, kusursuz ve kasma yapmadan hareket etmeyi sağlıyor. Her Suntech F3 taşıyıcı araba, 600 kg yük taşıma kapasitesi sayesinde kar yüküne karşı önemli bir avantaj sağlıyor. Çelik tel yapılı "trigger" sistemi ise 966 kg çekiş kuvvetine sahip olmasıyla kumaşta mükemmel bir gerilme yaratarak suyun 6 derecelik açıyla sorunsuz şekilde tahliyesini mümkün kılıyor.

En The heart of the system is driven by multiple Suntech F3 eight wheel slider carriages (each F3 slider carriage has a load limit of 600 kgs) that incorporates triple layer barrier system and works in conjunction with a timing belt that has been reinforced with multiple internal stainless steel cables to provide a pulling strength of over 966kg. It's this tension that is applied to the fabric membrane to allow an angle of 6 degrees fall possible and ensure all water drains away.

Es El corazón del sistema se conduce mediante múltiples carros deslizadores de ocho ruedas Suntech F3 (Cada uno de ellos tiene un límite de carga de 600 kg) que incorporan un tapón de protección ranurado y trabaja junto con una correa compuesta de múltiples hilos de refuerzo de acero inoxidable para soportar tensiones de más de 966 kg. Es esta tensión la que aplicada a la lona permite un ángulo de 6 grados de caída y asegura la evacuación de agua.

Fr Le Coeur du système est piloté par un charriot Suntech F3 de 8 roues (chacun d'eux pouvant supporter une charge de 600 kg) avec un bouchon de protection rainuré. ce système travaille avec une courroie composée de multiples fils de renfort en acier inoxydable, afin de supporter des tensions de plus de 966kg. C'est cette tension qui permet d'obtenir un angle d'inclinaison de 6 degrés et assurer l'évacuation de l'eau.

De Das Herz des Systems ist durch mehrere Suntech F3 acht rad slider wagen (jeweils F3 schiebereglern wagen hat eine Belastungsgrenze 600 kg), die dreifache Barriere-System integriert und arbeitet in Verbindung mit einem Zahnriemen, der mit mehreren internen Edelstahl verstärkt worden ist getriebenen Kabel an einen der Zugkraft von über 966kg bieten. Es ist diese Spannung, die das Gewebe Membran aufgebracht wird, damit in einem Winkel von 6 Grad fallen können und sicherzustellen, dass alle Wasser abfließt.





Güneş kırıcı panel, sistem kapandığında ilave gölge ve modern mimari görüntü sağlar

The addition of Aerofoil louvres can provide added shade when the system is closed

La incorporación de lamas Aerofoil pueden ofrecer mayor sombra cuando el elemento está recogido

L'incorporation des lames Aerofoil permettent d'offrir plus d'espace ombragé quand la toile est repliée

Louvre-Panels, wird das System sorgt für zusätzliche Schatten verwandelt





Tr Standart donanım olarak sunulan stormguard fitil ve conta sistemi, tüm olumsuz kötü hava koşullarında mekan içerisine su ve hava girmesini engelleyebiliyor. Üst düzey korumaya yönelik stormguard fitiller, kumaşta ve raylarda; Stormguard contalar ise kumaşı tutan F3 arabalarda monteli olarak bulunuyor. Stormguard yağmura karşı temel koruma sağlamaya ve dışarıdan giren sızmaları önlemeye uygun bir sistemdir. Stormguard, mümkün olan en iyi korumayı uzun yıllar sağlamak ve sıcaklık değişiminin neden olduğu çatlamalardan etkilenmemek için ekstra yumuşak ve ekstra esnek kauçuktan elde ediliyor.

En To ensure the highest level of protection Suntech systems focus on all the details, this is why all Suntech systems come standard finished with Stormguard soft touch edge seal on all parameters. Stormguard provides the ultimate protection against rain and draught intrusion around the outside of the system and is only available on our systems. Stormguards soft touch edge seal is produced from an extra soft & flexible rubber to ensure the best possible protection from the elements.

Es Para asegurar el máximo nivel de protección los sistemas Suntech se centran en todos los detalles, es por esto que todos los sistemas Suntech vienen acabados de serie con el sistema de protección stormguard soft touch, que proporciona la más novedosa protección contra la entrada de agua alrededor del sistema y sólo disponible para nuestros sistemas. Stormguard soft touch se fabrica con una goma extra blanda y flexible para asegurar la mejor protección.

Fr Pour assurer le niveau maximum de protection des structures, Suntech se concentre sur tous les détails, c'est pourquoi tous ces modèles sont assemblés de série avec le système stormguard soft touch, qui offre la meilleure protection contre les entrées d'eau, exclusivement disponible sur nos systèmes. Stormguard soft touch est fabriqué avec un caoutchouc ultra souple et flexible pour assurer la meilleure protection.

De Um sicherzustellen, das höchste Niveau an Schutz Suntech-systeme Fokus auf alle Details, das ist, warum alle Suntech-systeme Standard fertig sind mit stormguard soft touch Randverbund auf alle Parameter. Stormguard bietet den ultimativen Schutz gegen Regen und Entwurf Intrusion um die Außenseite des Systems und ist nur verfügbar, die auf unseren Systemen. Stormguards soft touch Randverbund ist aus extra weichem und flexiblem Gummi hergestellt, um den bestmöglichen Schutz vor den Elementen zu gewährleisten.





10 mt'ye kadar ileriye açılım

Projections up to 10 mt

Salida hasta 10 m

Projection maximum 10 mètres

Projektionen bis zu 10 m













Tr Avrupa teknolojisi kullanılarak, sistemin uzaktan kumanda ile motorun dakikada 26 devir gibi yüksek hızla kontrolü sağlanıyor. Uzaktan kumanda kontrollü LED-TEC aydınlatma sistemi ile daha şık ortamlar yaratılabilirken, uzaktan kumanda kontrollü dimmer sistemle de kullanıcıyı çevreleyen ortama uygun ışık yoğunluğu sağlanabiliyor.

En Remote controlled motorisation is provided by utilising European technology through a custom built direct drive motor system to ensure smooth and quick operation at 26 RPM. The optional hi powered LED-TEC lighting system provides a practical touch of class and when coupled with a remote dimming controller allows the user to change the mood to suit the surrounding environment.

Es Motorización accionada mediante mando a distancia dotada de un sistema de transmisión directa para asegurar un desplazamiento rápido de la lona a 26 RPM. La opción de iluminación mediante LED proporciona un toque elegante, que unido a un regulador de intensidad de luz permite al usuario adaptar el espacio al entorno.

Fr La motorisation est réalisée par télécommande à distance de marque, dotée d'un système de transmission directe afin d'assurer un déplacement rapide de la toile à 26 RPM. L'option d'éclairage LED offre une touche élégante qui, unie à un régulateur d'intensité, permet à l'utilisateur d'adapter l'espace à son environnement.

De Ferngesteuerte Motorisierung wird durch die Verwendung europäischer Technologie durch einen speziell angefertigten Direct Drive Motor System eine reibungslose und schnelle Bedienung bei 26 RPM sicher gestellt. Die optional hallo betriebene LED-TEC Beleuchtung bietet eine praktische Hauch von Klasse und wenn sie mit einem Remote-Dimm-Regler gekoppelt ermöglicht es dem Benutzer, um die Stimmung zu ändern, um die Umgebung anzupassen.

9 mt'ye kadar ileriye açılım

Projections up to 9 mt

Salida hasta 9 m

Projection maximum 9 mètres

Projektionen bis zu 9 m

Tek parça kumaş ile 4.5 mt cephe genişliği

Width up to 4.5 mt in single fabric

Ancho hasta 4.5 m con lona de una pieza

Largeur maximum 4.5 mètres avec une seule toile

Breite bis 4.5 mt in einzelnen Stoff





9 mt'ye kadar ileriye açılım

Projections up to 9 mt

Salida hasta 9 m

Projection maximum 9 mètres

Projektionen bis zu 9 m

Tek parça kumaş ile 4.5 mt cephe genişliği

Width up to 4.5 mt in single fabric

Ancho hasta 4.5 m con lona de una pieza

Largeur maximum 4.5 mètres avec une seule toile

Breite bis 4.5 mt in einzelnen Stoff



8 mt'ye kadar ileriye açılım

Projections up to 8 mt

Salida hasta 8 m

Projection maximum 8 mètres

Projektionen bis zu 8 m

Tek parça kumaş ile 9 mt cephe genişliği

Width up to 9 mt in single fabric

Ancho hasta 9 m con lona de una pieza

Largeur maximum 9 mètres avec une seule toile

Breite bis 9 mt in einzelnen Stoff







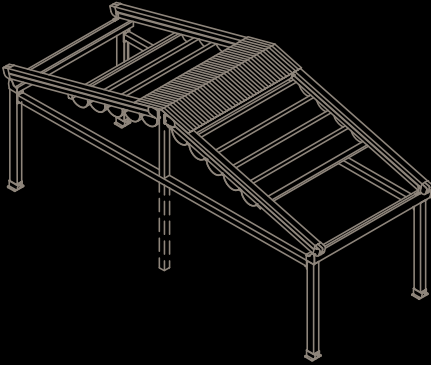


overview



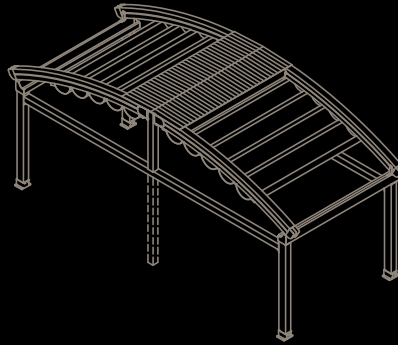


TW-22



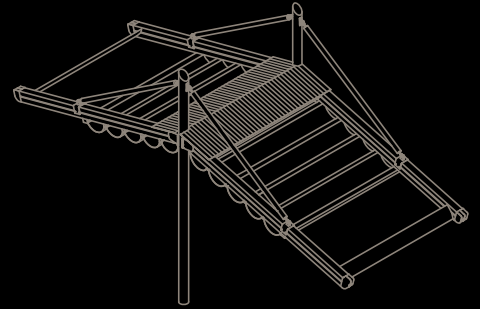
^
v Max. 20mt
<> Max. 13mt

TW-33



^
v Max. 22mt
<> Max. 13mt

TW-44



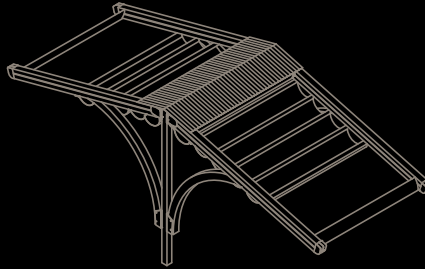
^
v Max. 10mt
<> Max. 13mt

TW-55



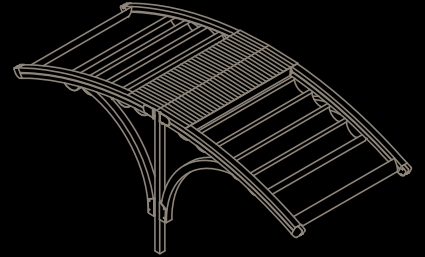
^
v Max. 10mt
<> Max. 13mt

TW-66



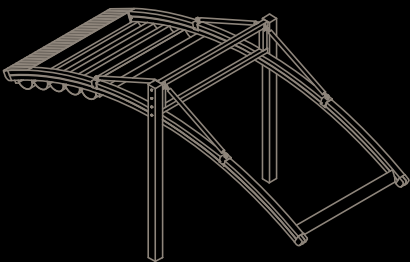
^
v Max. 9mt
<> Max. 4.5mt

TW-88



^
v Max. 9mt
<> Max. 4.5mt

TW-99

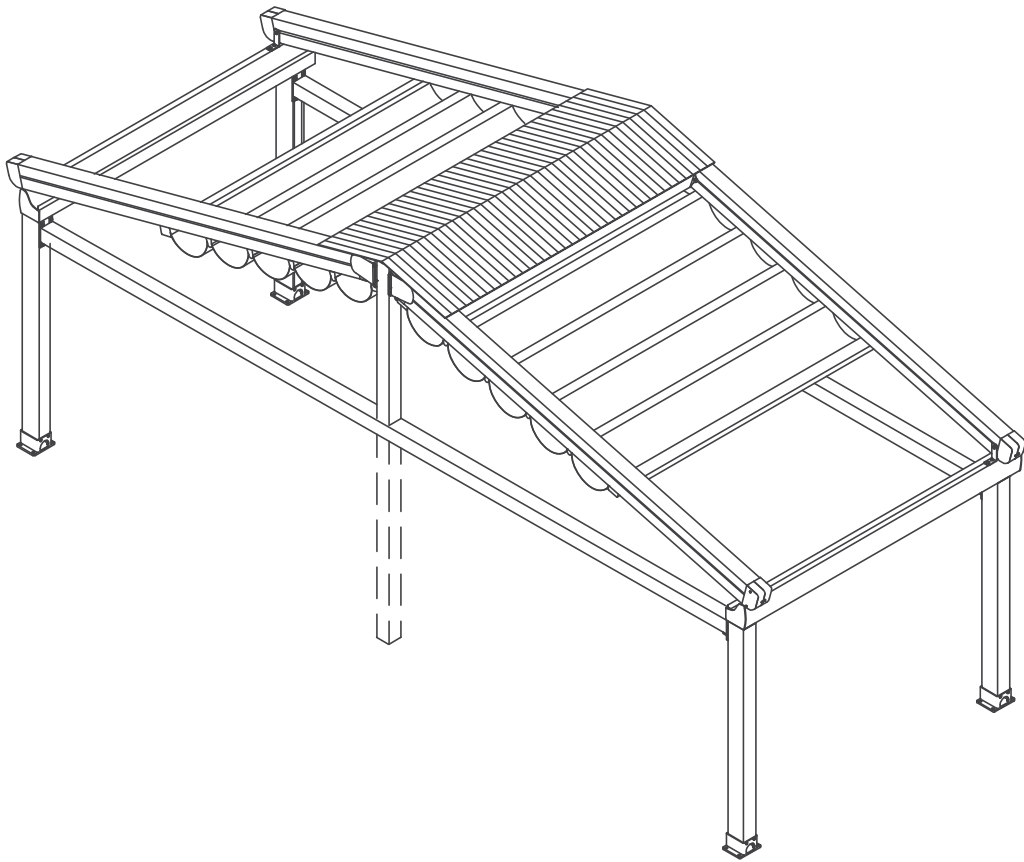


^
v Max. 8mt
<> Max. 9mt

<> Width

^
v projection

Tw22



Tw22 double sided retractable pergola system

The TW22 double sided retractable pergola system rafters provide an elegant solution for any project. Each of the custom designs are installed according to site specifications and can easily be adapted as required. This model provides an outdoor covering system with an architectural edge to allow outdoor areas to be used in all weather conditions. The system offers a wind rating up to Beaufort class 11 (up to 117km/h) and are designed to stand up to even the worst of conditions rain, hail or shine.

The site specific models are manufactured to size using high grade 6063 extruded aluminium profiles finished with thermosetting powder coating which provides superior overall performance for exterior product applications. All bolts, screws and pins are high grade stainless steel to ensure extended system life.

The TW22 rafter profiles (LT: 80mm x 125mm / XL: 110mm x 160mm) have been designed with unique water guard side channels and cast aluminium end plates to allow for projections up to LT: 14m / XL: 20m per system. Widths are customised according to site requirements and available in any size up to 13m. The TW22 system offers up to LT: 182sqm / XL: 260sqm of protection at the touch of a button but when required linking multiple systems is also possible and made easy by our patented storm channel joining system that ensures 100% waterproof join every time. The TW22 system also includes an integrated gutter system with internal drainage to carry away even the heaviest rain.

Remote controlled motorisation is provided by utilising European technology through a custom built direct drive motor system to ensure smooth and quick operation at 26RPM. The optional hi powered LED-TEC lighting system provides a practical touch of class and when coupled with a remote dimming controller allows the user to change the mood to suit the surrounding environment.

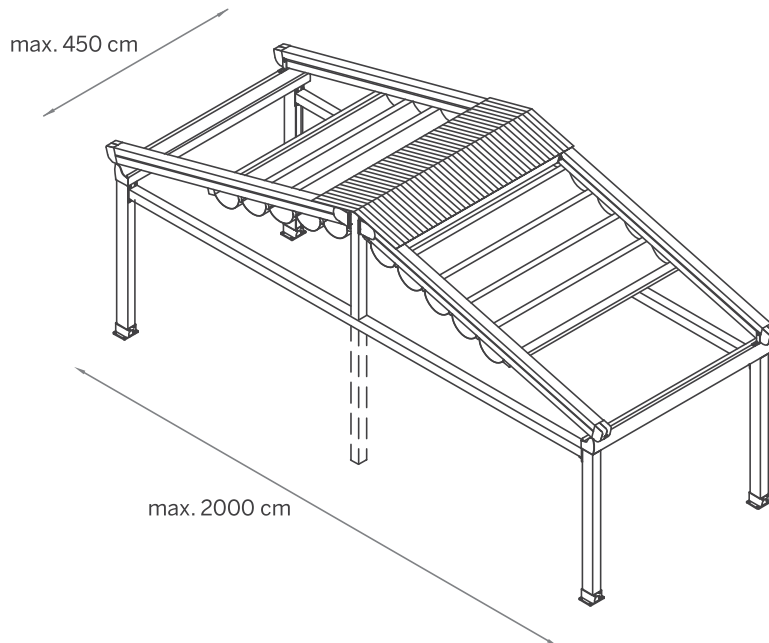
The heart of the system is driven by the Suntech F3 eight wheel slider carriages (each F3 slider carriage has a load limit of 600kgs) that incorporates a triple layer barrier system and works in conjunction with a timing belt that has been reinforced with multiple internal stainless steel cables to provide a pulling strength of over 966kg. It's this tension that is applied to the fabric membrane to allow an angle of 6 degrees fall possible and ensure all water drains away in the internal gutter system.

The fire rated and 100% waterproof architectural membrane is available in a range of colours in both opaque and transparent that provides maximum stability and resistance to temperature, moisture and dirt. It does not shrink or bag, and the acrylic top coating makes it very easy to clean for years to come. When not in use the fabric is neatly retracted under the systems hood to provide protection from the elements when not required.

To ensure the highest level of protection Suntech systems focus on all the details, this is why all Suntech systems come standard finished with Stormguard soft touch edge seal on all parameters. Stormguard provides the ultimate protection against rain and draught intrusion around the outside of the system and is only available on our systems. Stormguards soft touch edge seal is produced from an extra soft & flexible Natural rubber to ensure the best possible protection from the elements.

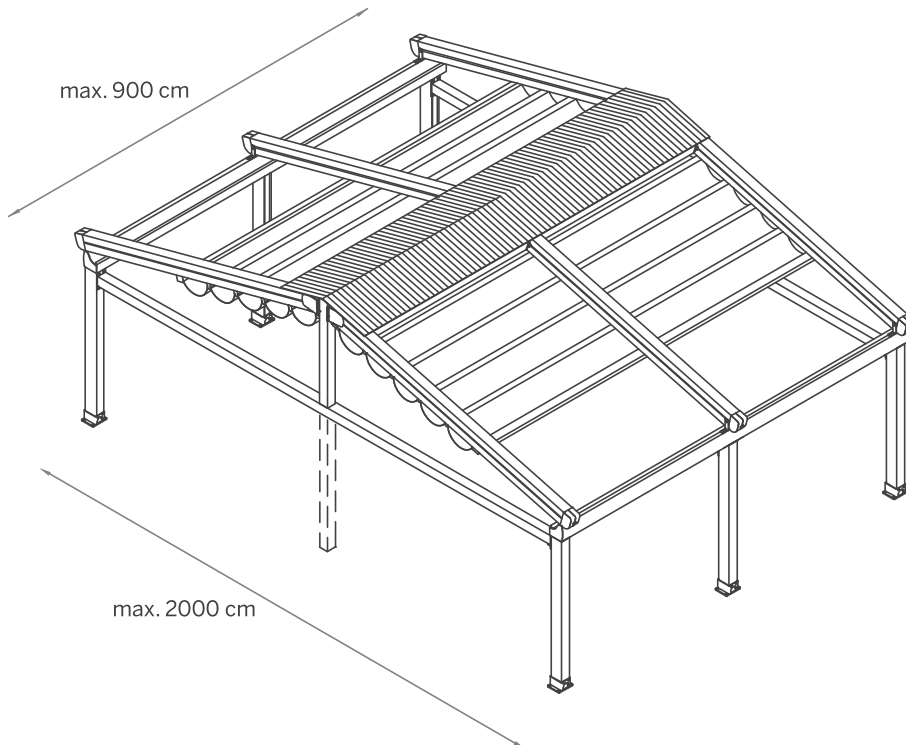
One Module

200 cm > 450 cm
One Module with 2 motor & 4 rafters



Two Modules

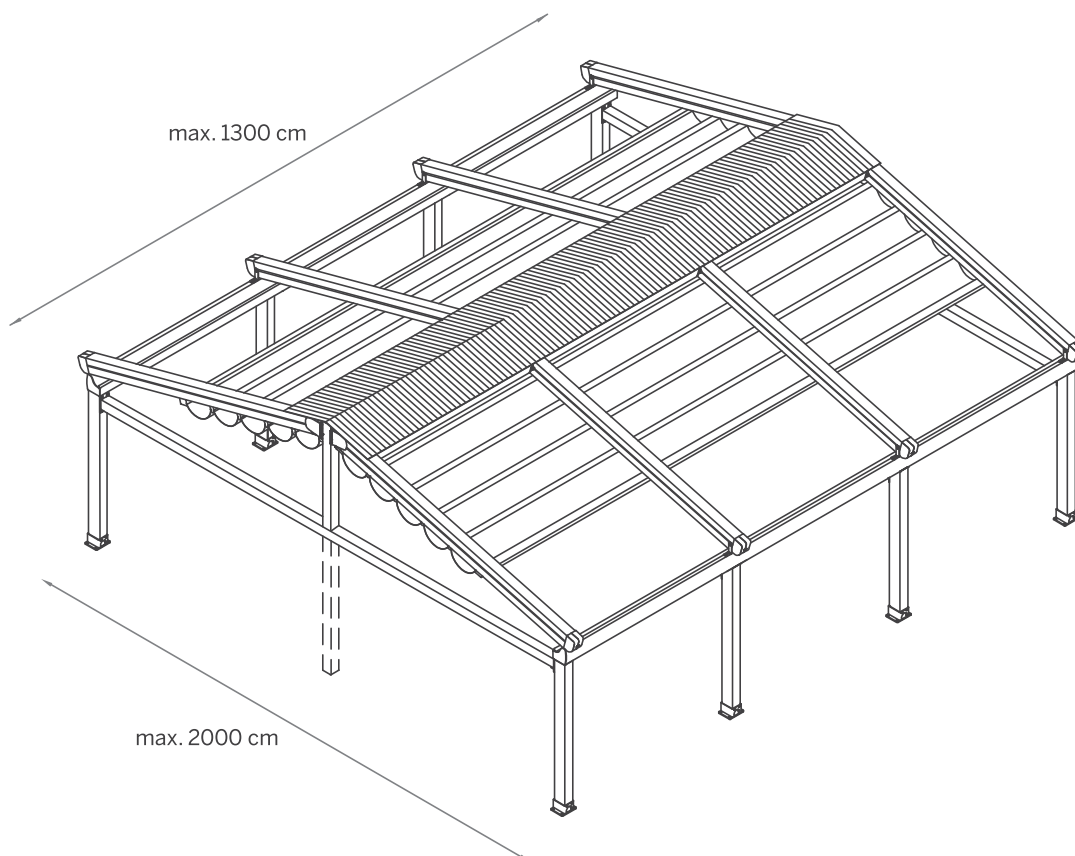
450 cm > 900 cm
Two Modules with 2 motor & 6 rafters

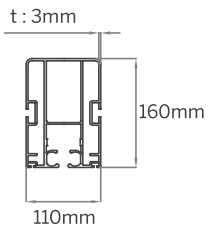
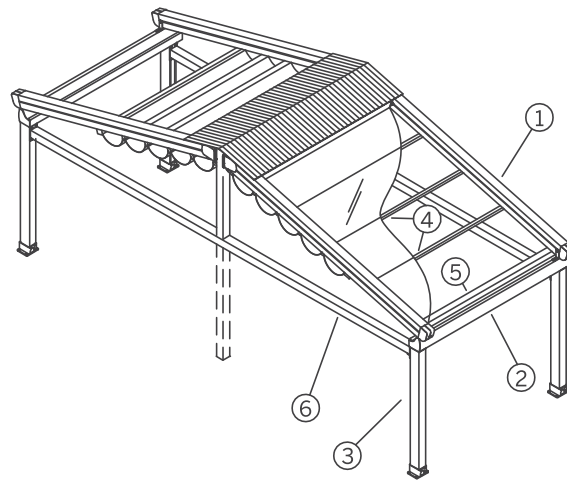


Three Modules

900 cm > 1300 cm

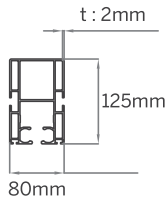
Three Modules with 2 motor & 8 rafters



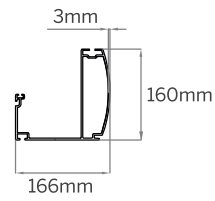


XL

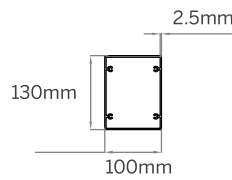
① Rafter



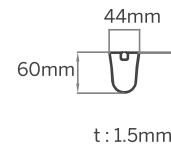
LT



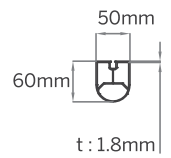
② Gutter



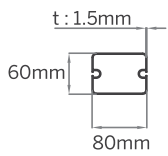
③ Post



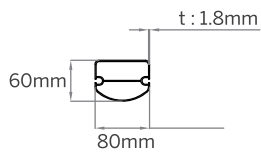
④ Fabric Support (Standart)



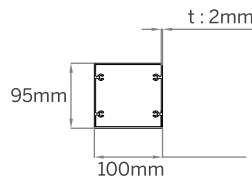
④ Fabric Support (HDD Lux)



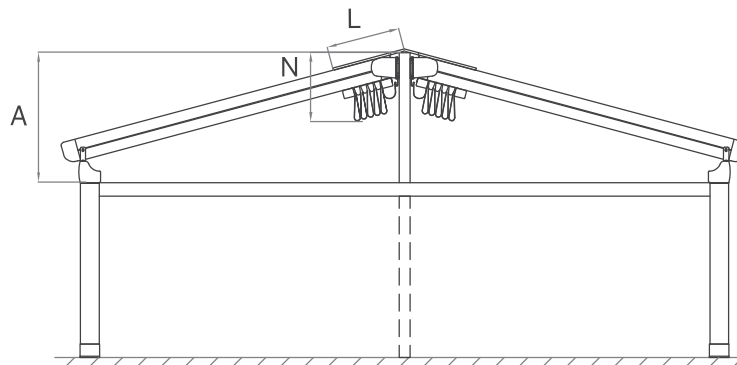
⑤ Puller Profile (Standart)



⑤ Puller Profile (HDD Lux)



⑥ Side Rafter



TW 22 LT

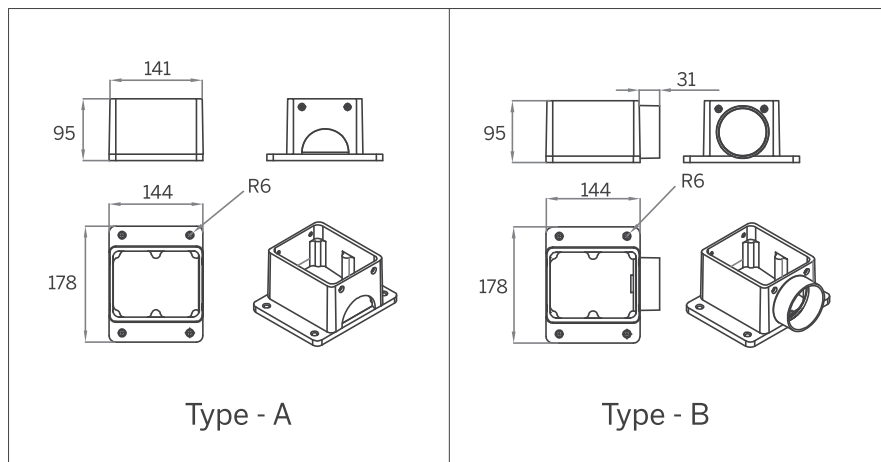
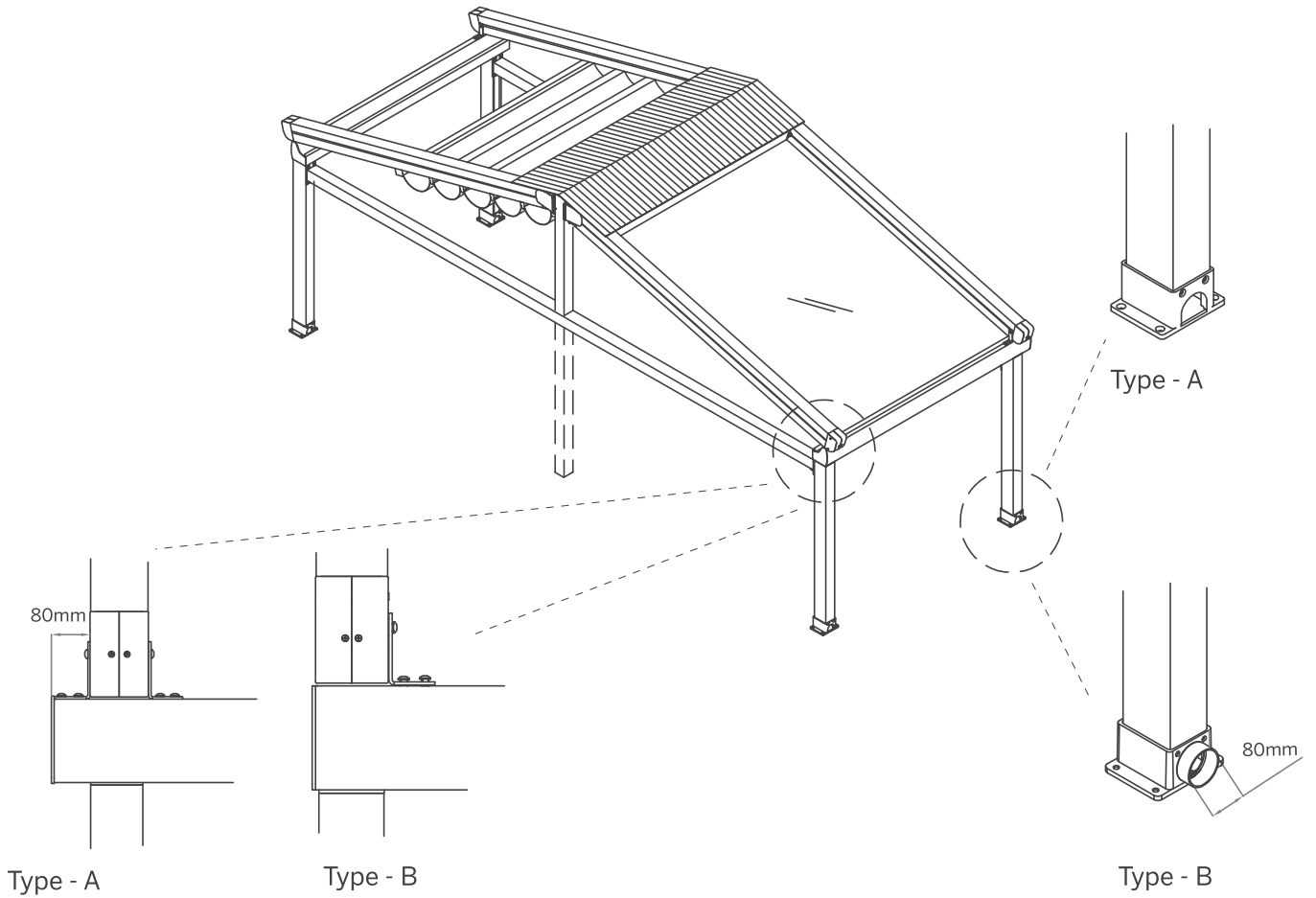
	Fabric Height	Hood	Fall	Fab.Sup.Profiles
	(N*) mm	(L*) mm	(A*) mm	pc*
600	414	701	645	14
700	420	766	706	16
800	426	821	768	18
900	439	931	829	22
1000	446	986	891	24
1100	453	1041	952	26
1200	460	1096	1013	28
1300	466	1151	1075	30
1400	473	1206	1136	32

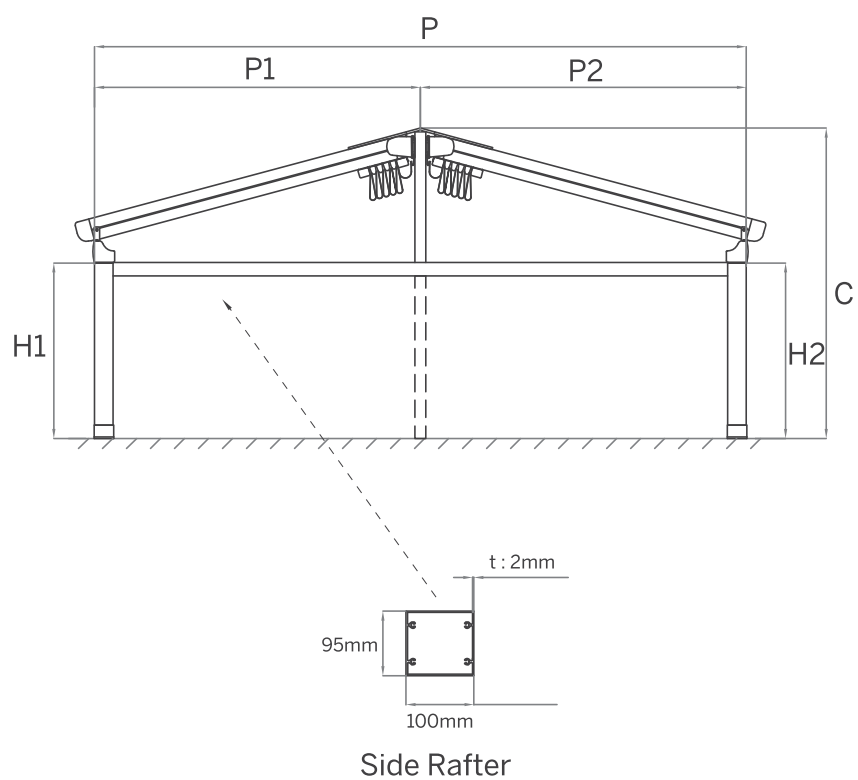
*With min. inclination of 7°. Values can vary by other inclination values.

TW 22 XL

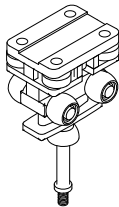
	Fabric Height	Hood	Fall	Fab.Sup.Profiles
	(N*) mm	(L*) mm	(A*) mm	pc*
600	438	706	671	14
700	446	761	733	16
800	453	816	794	18
900	466	926	856	22
1000	472	981	917	24
1100	479	1036	978	26
1200	486	1091	1040	28
1300	492	1146	1101	30
1400	499	1201	1163	32
1500	506	1256	1224	34
1600	513	1311	1285	36
1700	525	1421	1347	40
1800	532	1476	1408	42
1900	539	1531	1470	44
2000	546	1586	1531	46

*With min. inclination of 7°. Values can vary by other inclination values.



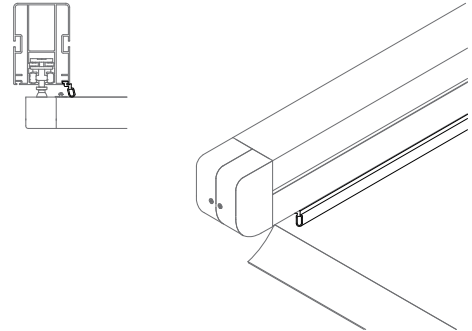


Over 800 cm projection, a support column needed for steel structure



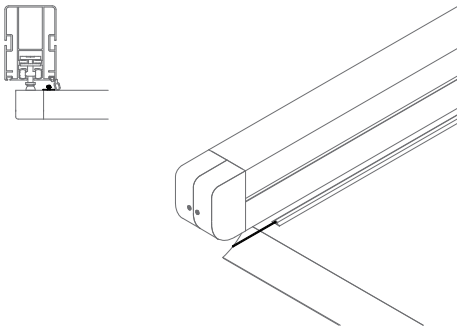
F3 Eight wheel slider

Four horizontal & four vertical rollers working together for perfectly smooth operation every time. The F3 eight wheel system is proven to remove the jamming issue that occurs with the 4 wheel system and can take loads of upto 600KG.



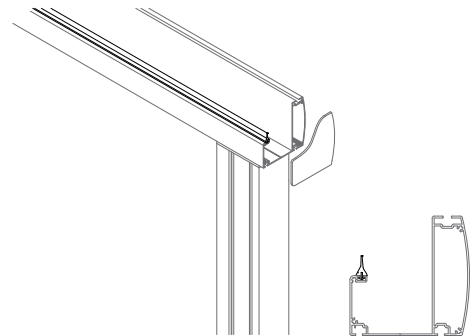
Rafter stormguard edge seal

The rafter Stormguard edge seal stops water from dripping over the side of the system by providing a soft cushioning barrier along the side of the system.



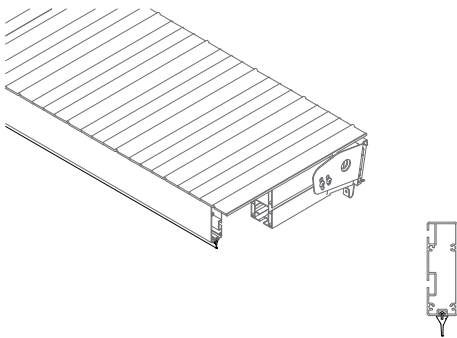
Fabric anti-drop edge cord with electrical cable

The fabric anti-drip edge cord with integrated lighting electrical cable works in conjunction with the Stormguard edge seal to prevent any water leaks over the side of the system.



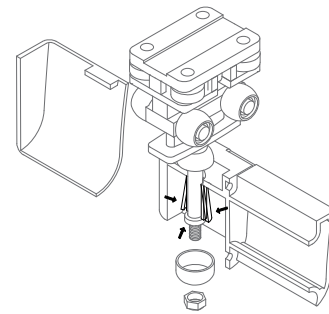
Gutter stormguard seal

The Stormguard gutter seal provides a perfect seal to prevent water leaks along the front of the system from driving rain or splashing from the gutter.



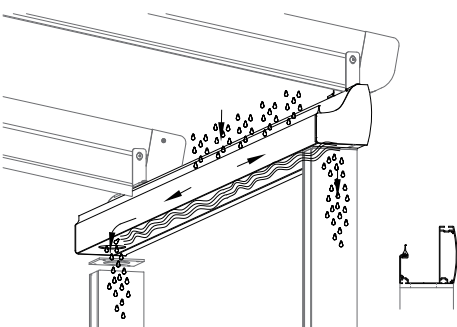
Hood stormguard seal

The Stormguard hood seal provides the perfect seal to prevent driving rain & wind coming in under the hood profiles.



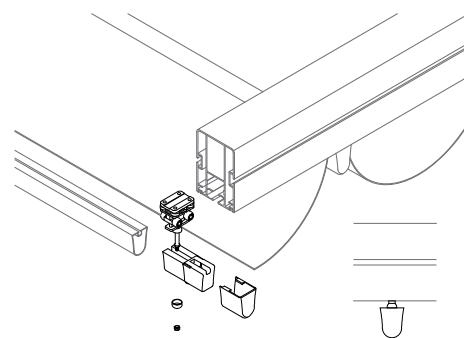
F3 slider easy clip installation

The F3 system has been designed for ease of use, to save time on installations and reduce the number of staff required. Each F3 slider can take loads of upto 600KG once in place.



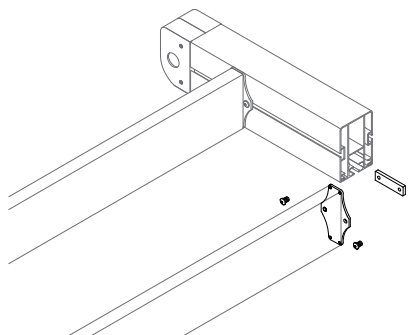
Integrated gutter & internal drainage system

The integrated gutter system provides the perfect solution for water drainage.



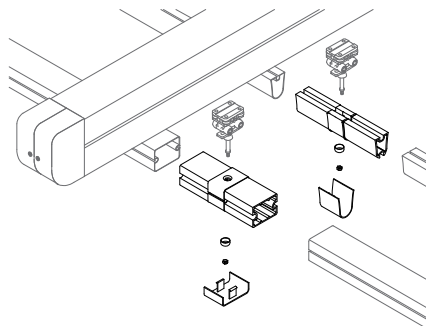
F3 slider and fabric profile assembly

The system has been designed for ease of assembly to save time on installations and reduce the number of staff required.



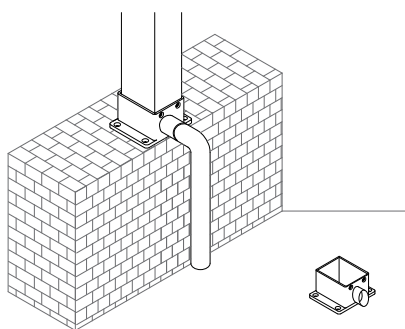
Motorbox support & hood support profile easy installation

Each support profile is easy to install and simple to adjust at the time of installation.



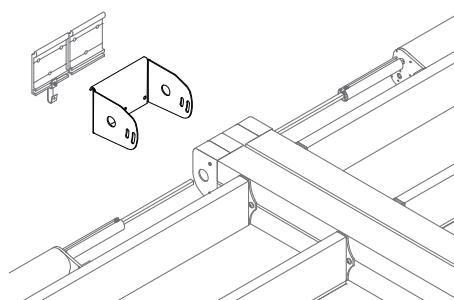
Easy clip intermediate joints (for 2 & 3 module systems)

The Easy clip intermediate joints have been designed for ease of site assembly to save time and reduce the number of staff required.



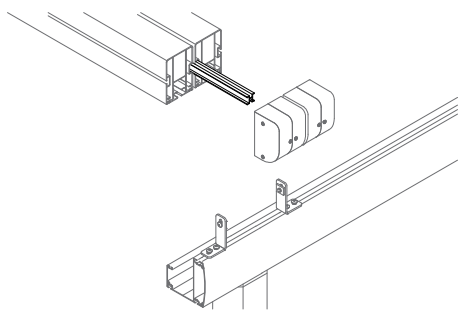
Base plate with external spout

This base plate provides a water dispersal solution.



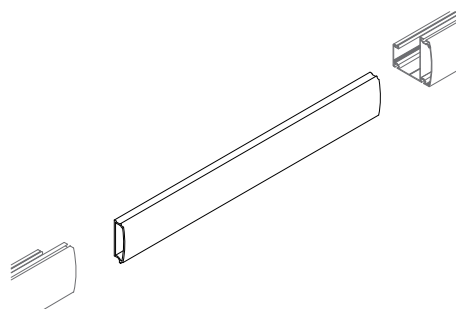
Double rafter wall bracket kit

An advanced solution for installing two rafter's at once.



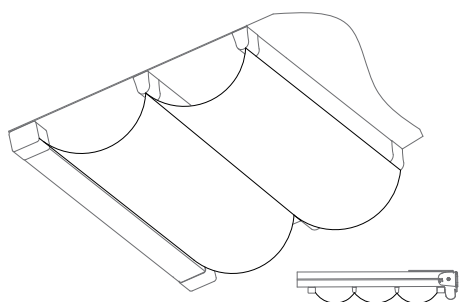
Storm channel for joining system

The storm channel is patented solution for joining two systems side by side with a waterproof join.



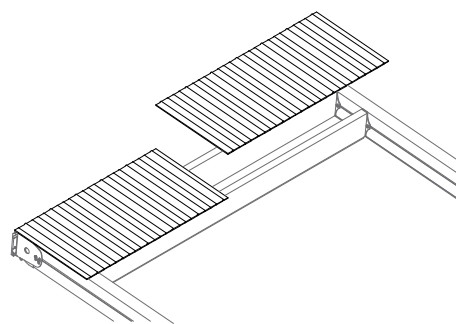
Gutter profile joining piece

A smart solution for joining the gutter profile.



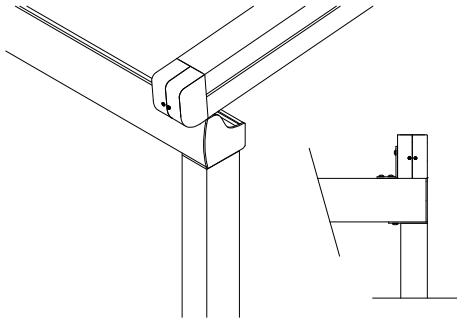
Decorative fabric under layer

The second decorative fabric under layer of fabric can provide an elegant touch of class.



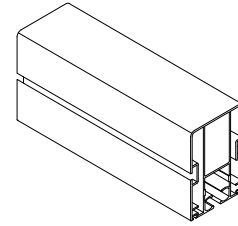
Hood profile sheets

Suntech's hood profile sheets provide an attractive covering solution for the system when not in use. The low profile aesthetic design offer added protection to the system with a chic touch.



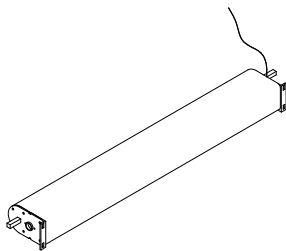
Gutter flush with rafter

Gutter solution for when the system is installed next to a wall or no overhang of the gutter is required.



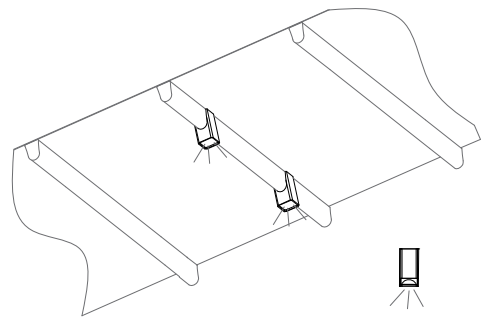
Rafter profile with water guard side channels

The Suntech rafter profiles are designed with water guard side channels for easy installation and to prevent water from entering.



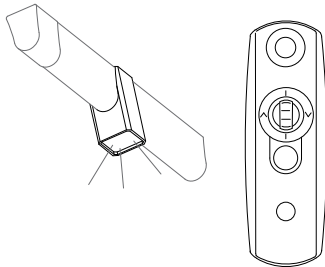
Compact 26rpm direct drive motor box

The Suntech direct drive motor system is a quick and efficient system that drives all conveyer rafters at the same time. The low profile design also allows the fabric to be stored underneath the motor which saves additional space.



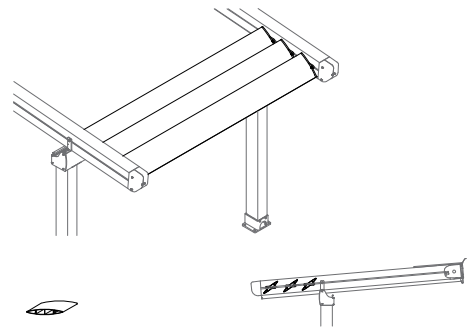
LED-TEC high powered lighting

LED-TEC lighting is an integrated lighting solution that can be added to any Suntech system.



LED-TEC dimmer setup

LED-TEC dimmer lighting is an integrated lighting solution that can be added to any Suntech system.

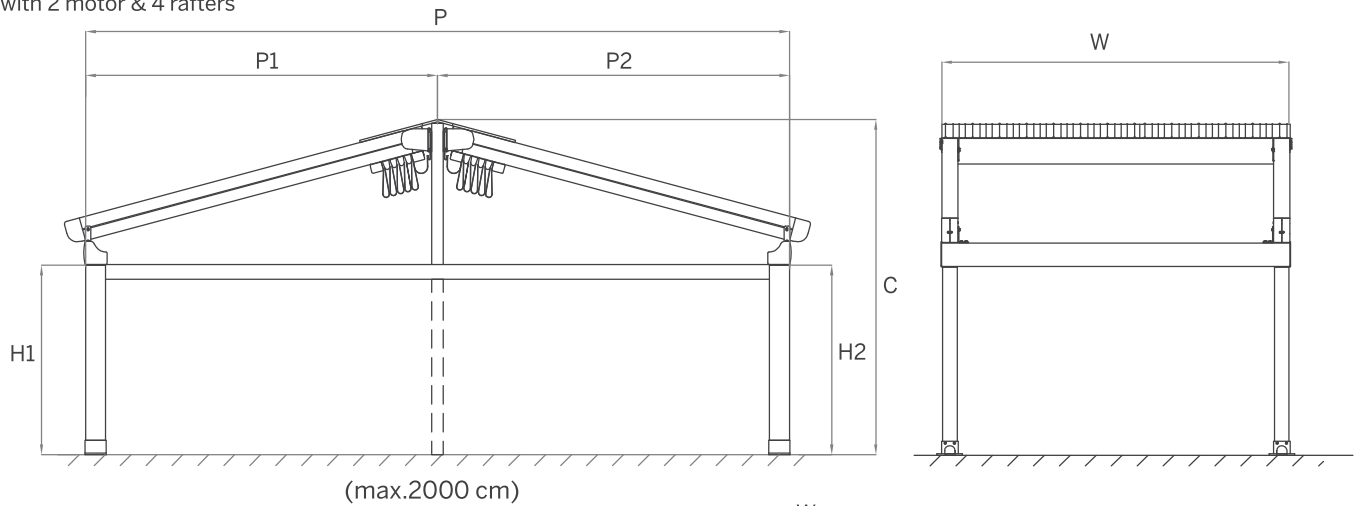


Aerofoil Louvres

The addition of Aerofoil louvres can provide added shade when the system is closed.

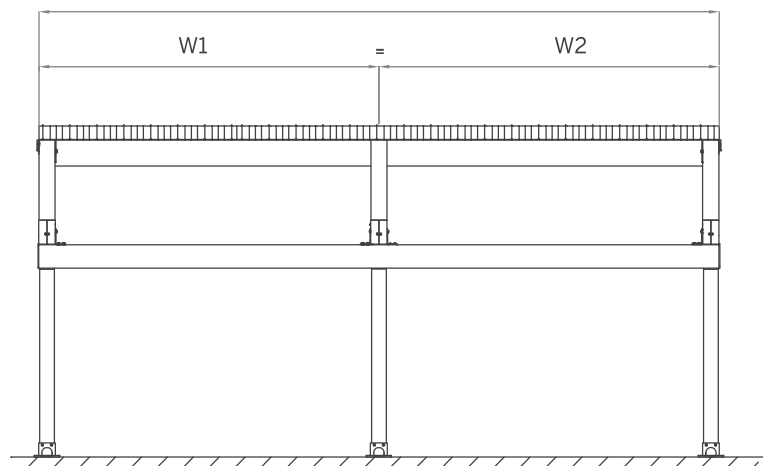
One Module

200 cm > 450 cm
 One Module with 2 motor & 4 rafters



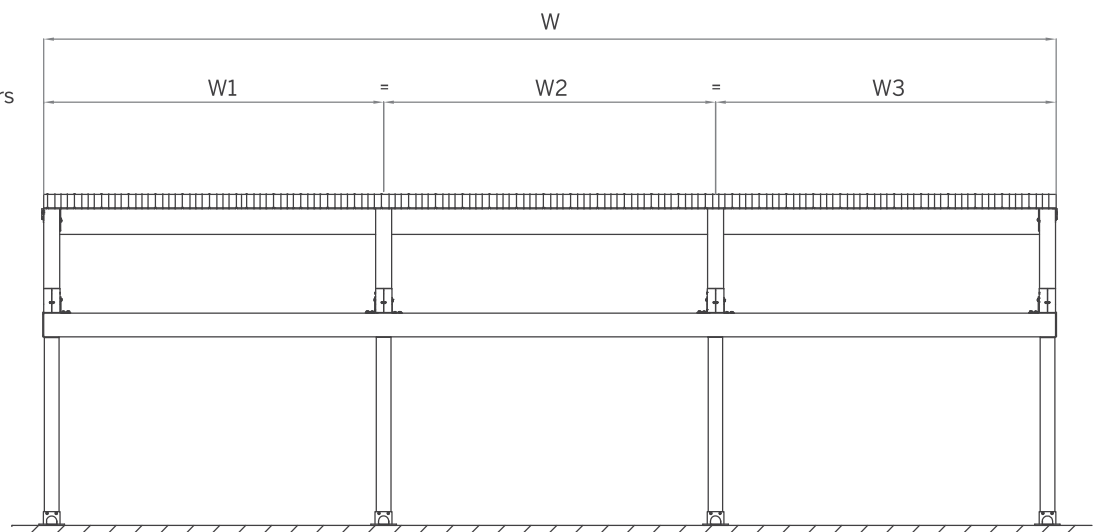
Two Modules

450 cm > 900 cm
 Two Modules with 2 motor & 6 rafters

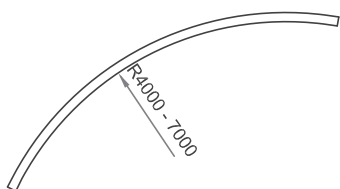
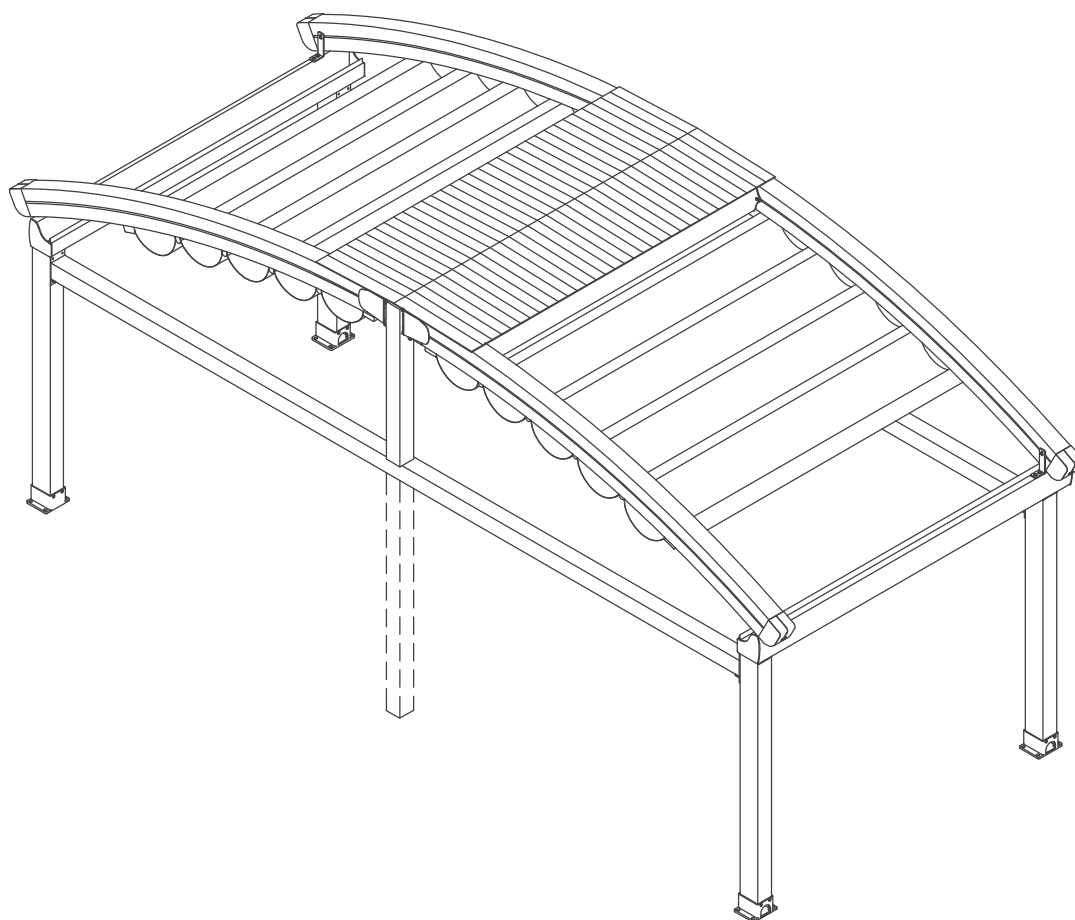


Three Modules

900 cm > 1300 cm
 Three Modules with 2 motor & 8 rafters



Tw33



SUNTECH

Tw33 double sided retractable system with curved rafters

The TW33 double sided retractable system with curved rafters provide an elegant solution for any project. Each of the custom designs are installed according to site specifications and can easily be adapted as required. This model provides an outdoor covering system with an architectural edge to allow outdoor areas to be used in all weather conditions. The system offers a wind rating up to Beaufort class 11 (up to 117km/h) and are designed to stand up to even the worst of conditions rain, hail or shine.

The site specific models are manufactured to size using high grade 6063 extruded aluminium profiles finished with thermosetting powder coating which provides superior overall performance for exterior product applications. All bolts, screws and pins are high grade stainless steel to ensure extended system life.

The TW33 rafter profiles (LT: 80mm x 125mm / XL: 110mm x 160mm) have been designed with unique water guard side channels and cast aluminium end plates to allow for projections up to LT: 14m / XL: 22m per system. Widths are customised according to site requirements and available in any size up to 13m. The TW33 system offers up to LT: 182sqm / XL: 286sqm of protection at the touch of a button but when required linking multiple systems is also possible and made easy by our patented storm channel joining system that ensures 100% waterproof join every time. The TW33 system also includes an integrated gutter system with internal drainage to carry away even the heaviest rain.

Remote controlled motorisation is provided by utilising European technology through a custom built direct drive motor system to ensure smooth and quick operation at 26RPM. The optional hi powered LED-TEC lighting system provides a practical touch of class and when coupled with a remote dimming controller allows the user to change the mood to suit the surrounding environment.

The heart of the system is driven by the Suntech F3 eight wheel slider carriages (each F3 slider carriage has a load limit of 600kgs) that incorporates a triple layer barrier system and works in conjunction with a timing belt that has been reinforced with multiple internal stainless steel cables to provide a pulling strength of over 966kg. It's this tension that is applied to the fabric membrane to allow an angle of 6 degrees fall possible and ensure all water drains away in the internal gutter system.

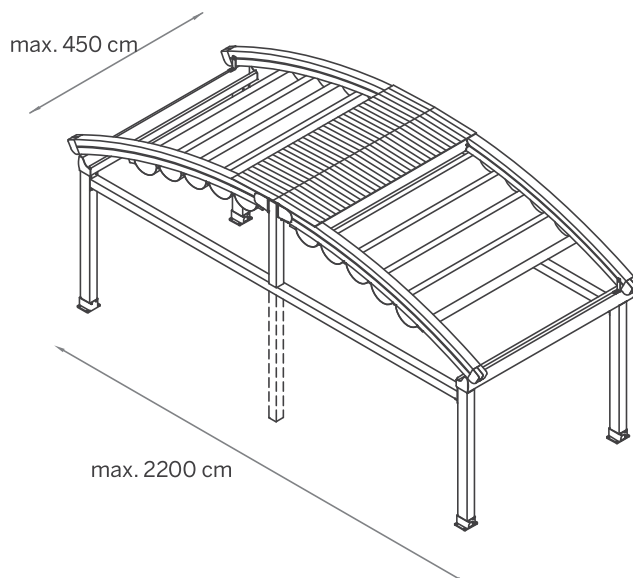
The fire rated and 100% waterproof architectural membrane is available in a range of colours in both opaque and transparent that provides maximum stability and resistance to temperature, moisture and dirt. It does not shrink or bag, and the acrylic top coating makes it very easy to clean for years to come. When not in use the fabric is neatly retracted under the systems hood to provide protection from the elements when not required.

To ensure the highest level of protection Suntech systems focus on all the details, this is why all Suntech systems come standard finished with Stormguard soft touch edge seal on all parameters. Stormguard provides the ultimate protection against rain and draught intrusion around the outside of the system and is only available on our systems. Stormguards soft touch edge seal is produced from an extra soft & flexible Natural rubber to ensure the best possible protection from the elements.

Tw33

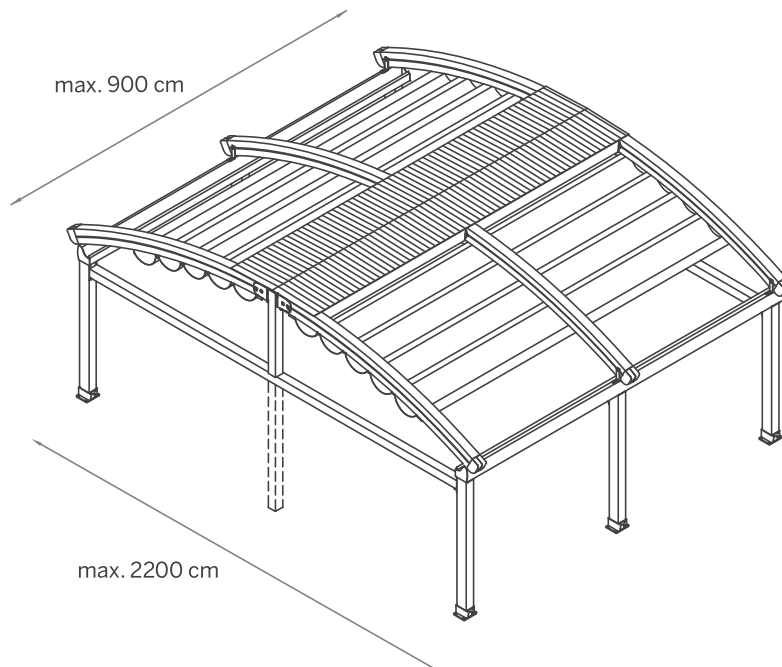
One Module

200 cm > 450 cm
One Module with 2 motor & 4 rafters



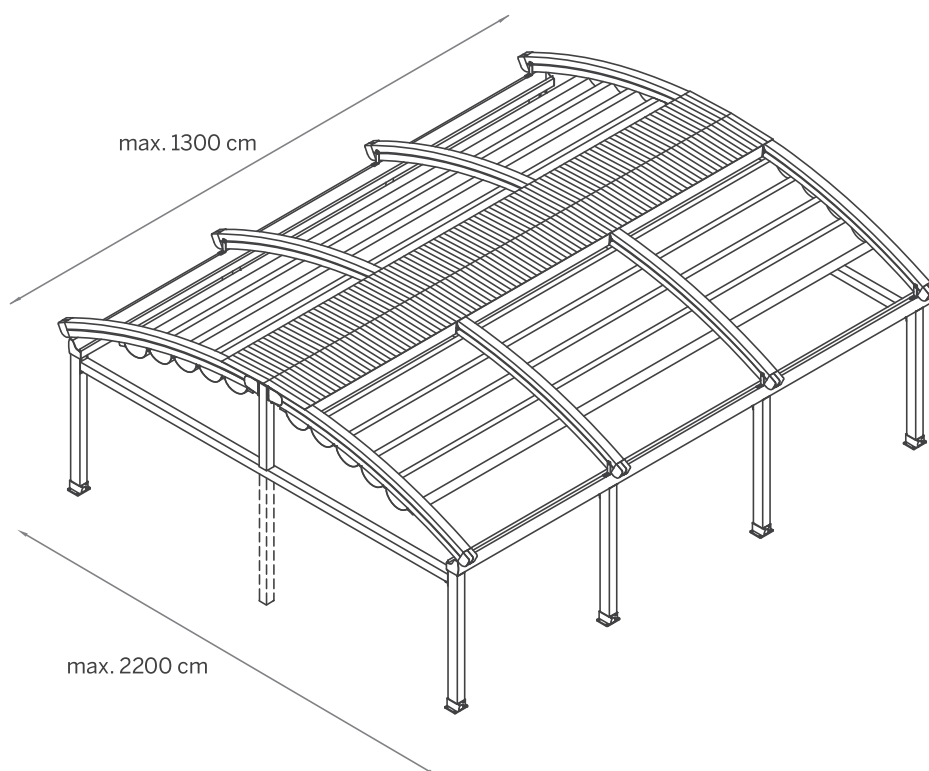
Two Modules

450 cm > 900 cm
Two Modules with 2 motor & 6 rafters

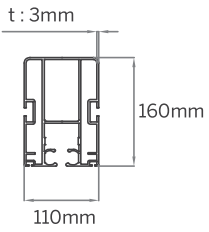
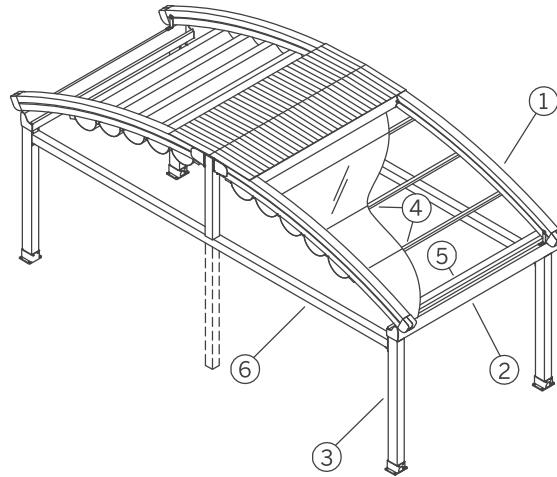


Three Modules

900 cm > 1300 cm
Three Modules with 4 motor & 8 rafters

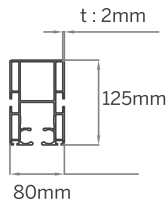


Tw33

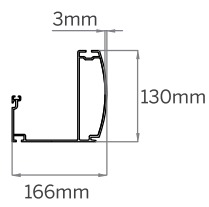


XL

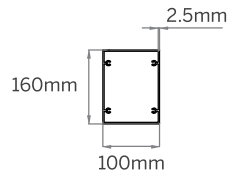
① Rail



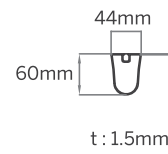
LT



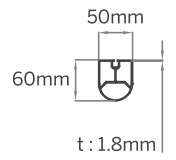
② Gutter



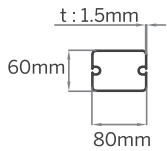
③ Post



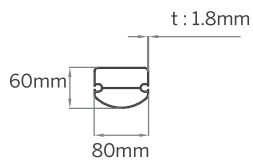
④ Fabric Support (Standart)



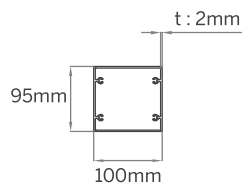
④ Fabric Support (HDD Lux)



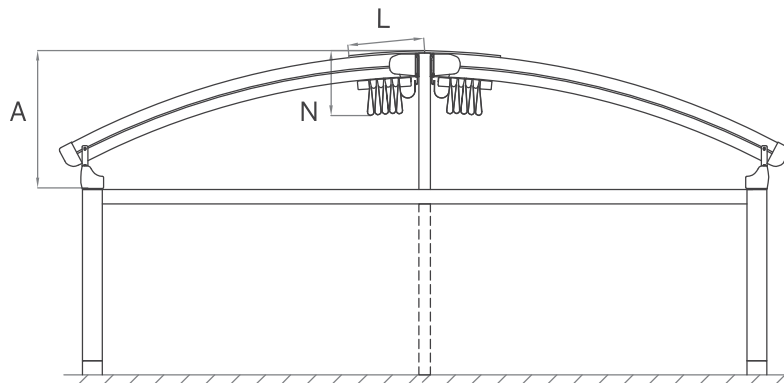
⑤ Puller Profile (Standart)



⑤ Puller Profile (HDD Lux)



⑥ Side Rafter



TW 33 LT

Projection (P) cm	Fabric Height	Hood	Fall	Fab.Sup.Profiles
	(N*) mm	(L*) mm	(A*) mm	pc*
600	387	787	837	16
700	389	852	988	18
800	393	890	1032	20
900	396	936	1214	22
1000	396	1008	1333	24
1100	404	1094	1434	28
1200	409	1170	1510	30
1300	410	1213	1555	32
1400	415	1250	1749	34

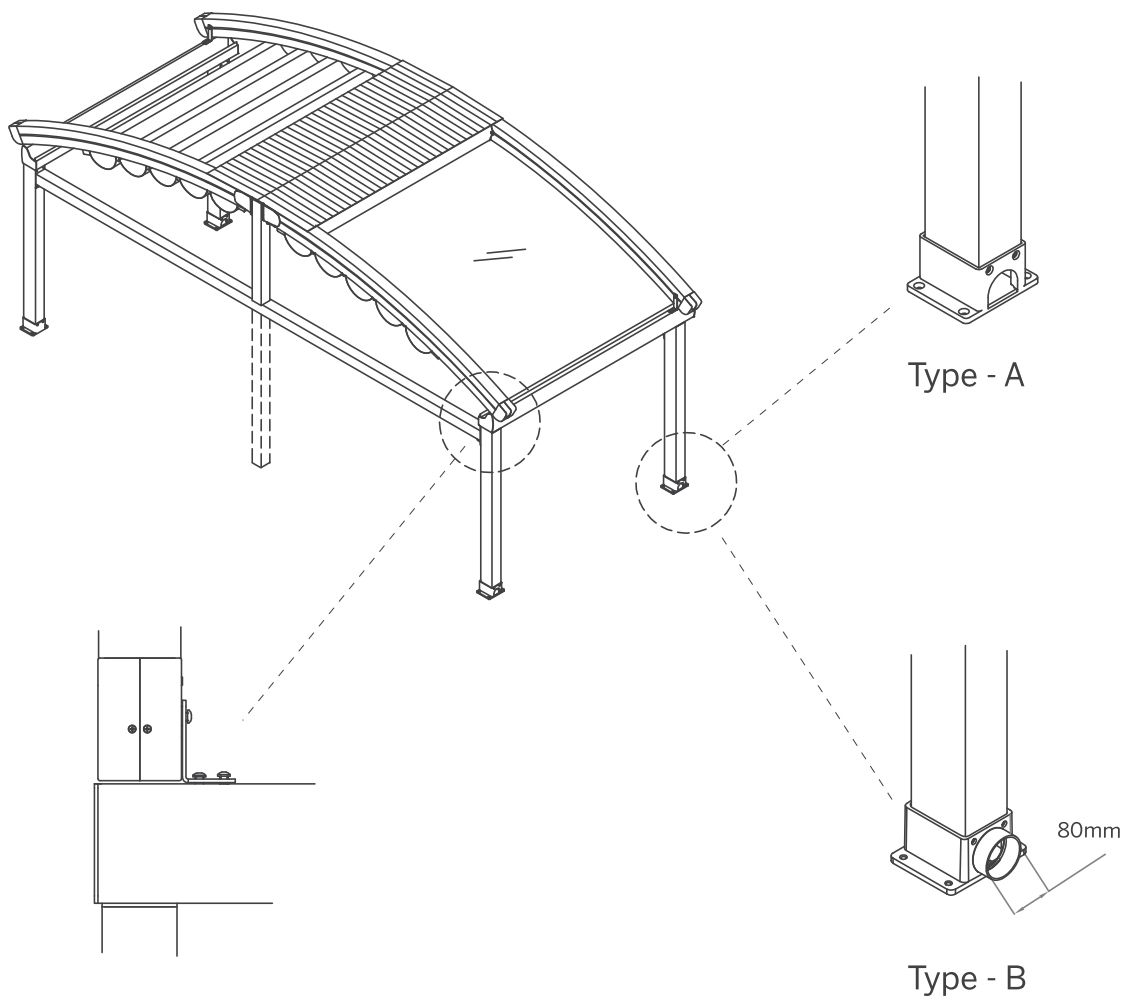
* Values can vary by different radius values.

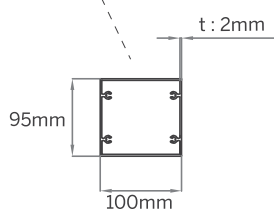
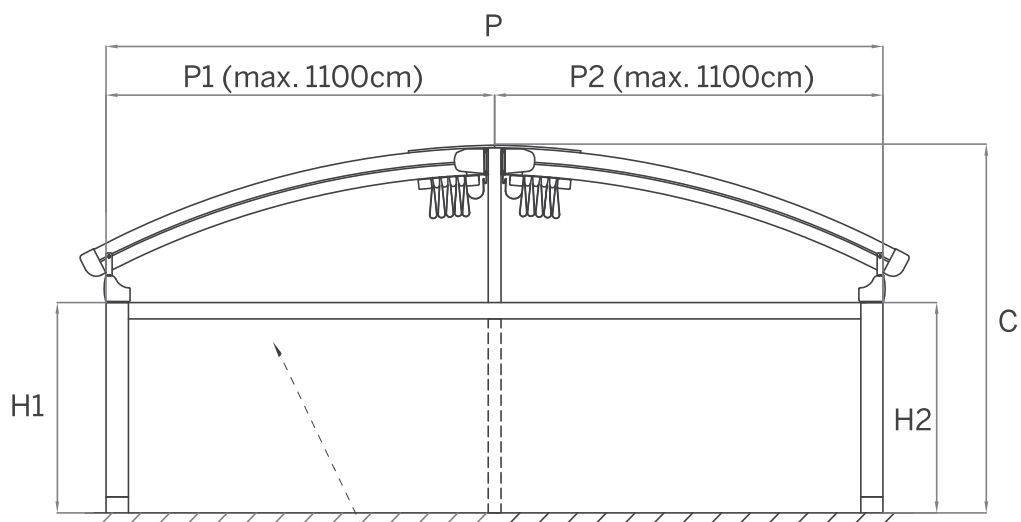
TW 33 XL

Projection (P) cm	Fabric Height	Hood	Fall	Fab.Sup.Profiles
	(N*) mm	(L*) mm	(A*) mm	pc*
600	412	805	866	16
700	415	805	1018	18
800	418	861	1112	20
900	421	917	1243	22
1000	421	968	1363	24
1100	430	1087	1462	28
1200	434	1143	1538	30
1300	436	1193	1583	32
1400	440	1250	1778	34
1500	440	1301	1563	36
1600	444	1357	1723	38
1700	446	1402	1894	40
1800	450	1469	2075	42
1900	454	1519	1925	44
2000	457	1632	2087	48
2100	461	1686	2256	50
2200	465	1742	2436	52

* Values can vary by different radius values.

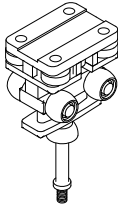
Tw33





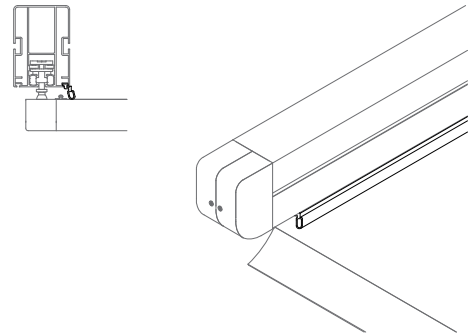
Side Rafter

Over 800 cm projection, a support column needed for steel structure



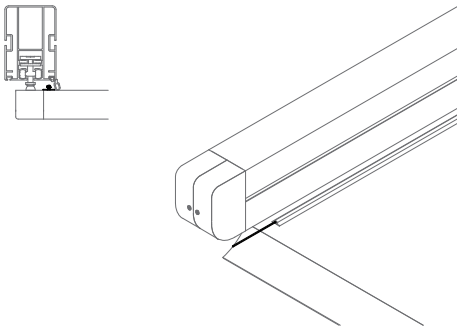
F3 Eight wheel slider

Four horizontal & four vertical rollers working together for perfectly smooth operation every time. The F3 eight wheel system is proven to remove the jamming issue that occurs with the 4 wheel system and can take loads of upto 600KG.



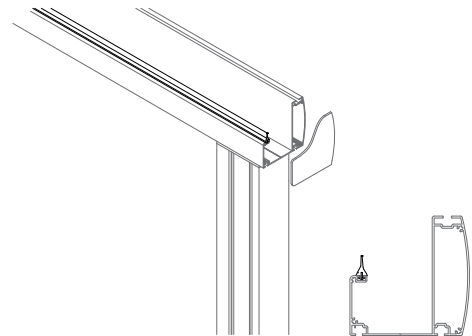
Rafter stormguard edge seal

The rafter Stormguard edge seal stops water from dripping over the side of the system by providing a soft cushioning barrier along the side of the system.



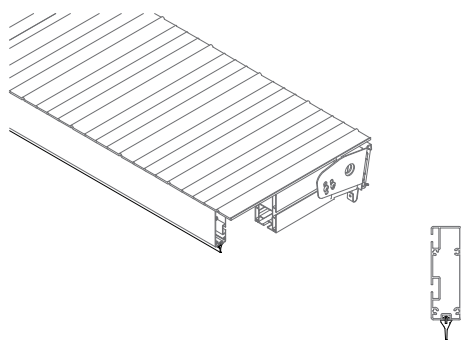
Fabric anti-drop edge cord with electrical cable

The fabric anti-drip edge cord with integrated lighting electrical cable works in conjunction with the Stormguard edge seal to prevent any water leaks over the side of the system.



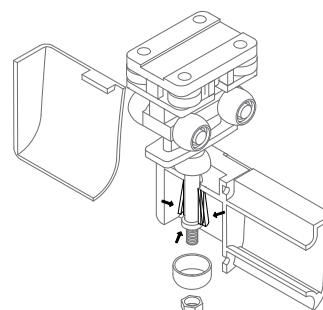
Gutter stormguard seal

The Stormguard gutter seal provides a perfect seal to prevent water leaks along the front of the system from driving rain or splashing from the gutter.



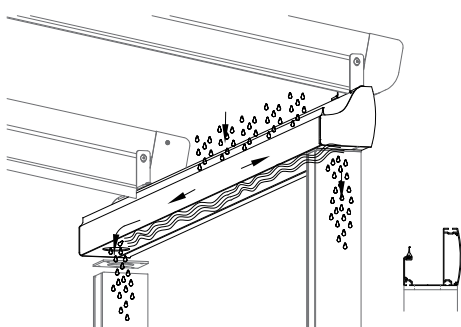
Hood stormguard seal

The Stormguard hood seal provides the perfect seal to prevent driving rain & wind coming in under the hood profiles.



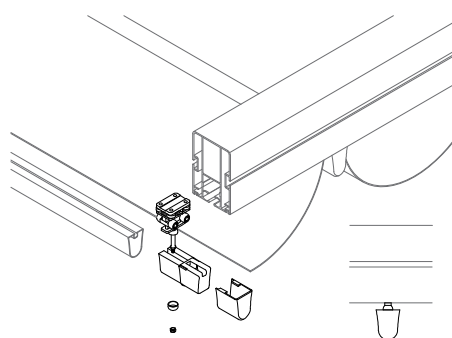
F3 slider easy clip installation

The F3 system has been designed for ease of use, to save time on installations and reduce the number of staff required. Each F3 slider can take loads of upto 600KG once in place.



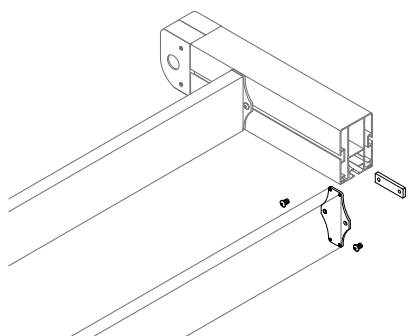
Integrated gutter & internal drainage system

The integrated gutter system provides the perfect solution for water drainage.



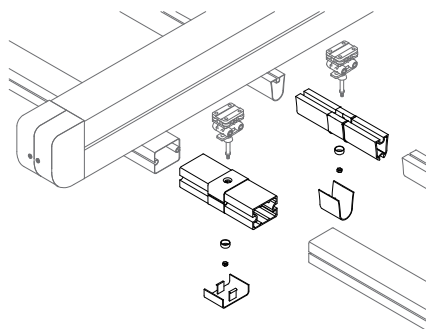
F3 slider and fabric profile assembly

The system has been designed for ease of assembly to save time on installations and reduce the number of staff required.



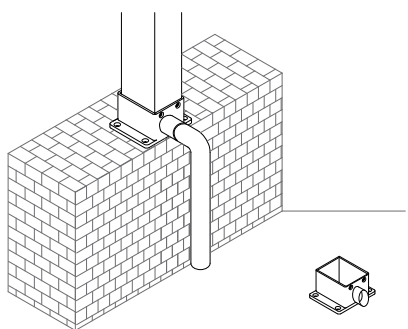
Motorbox support & hood support profile easy installation

Each support profile is easy to install and simple to adjust at the time of installation.



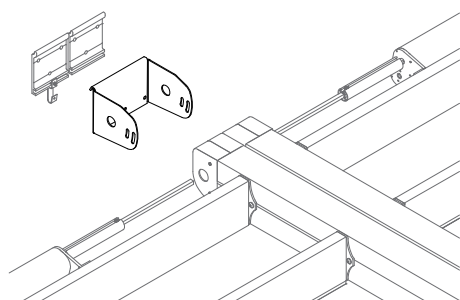
Easy clip intermediate joints (for 2 & 3 module systems)

The Easy clip intermediate joints have been designed for ease of site assembly to save time and reduce the number of staff required.



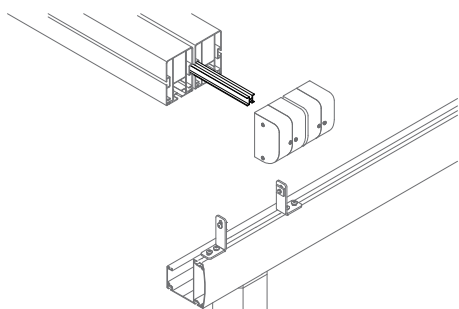
Base plate with external spout

This base plate provides a water dispersal solution.



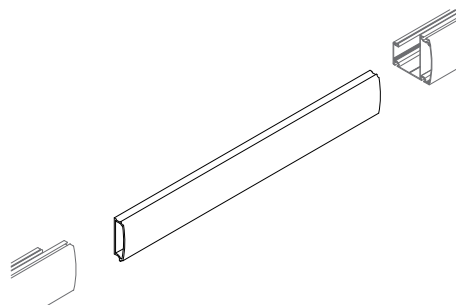
Double rafter wall bracket kit

An advanced solution for installing two rafter's at once.



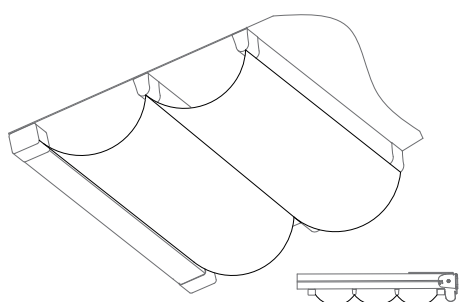
Storm channel for joining system

The storm channel is patented solution for joining two systems side by side with a waterproof join.



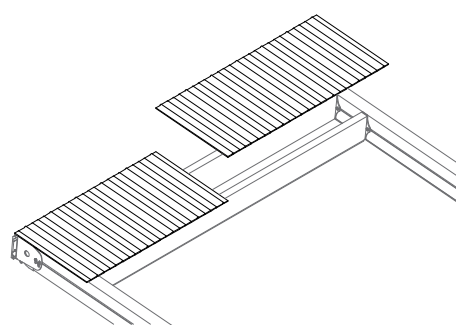
Gutter profile joining piece

A smart solution for joining the gutter profile.



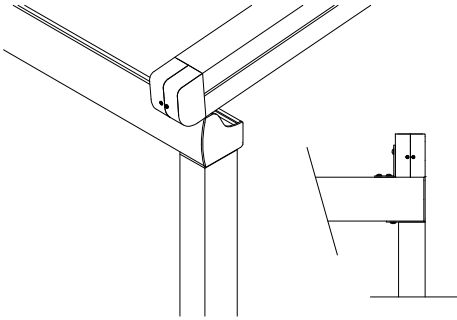
Decorative fabric under layer

The second decorative fabric under layer of fabric can provide an elegant touch of class.



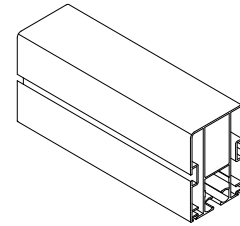
Hood profile sheets

Suntech's hood profile sheets provide an attractive covering solution for the system when not in use. The low profile aesthetic design offer added protection to the system with a chic touch.



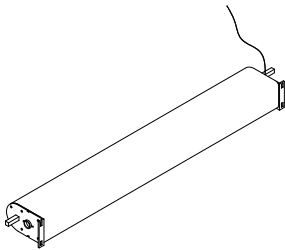
Gutter flush with rafter

Gutter solution for when the system is installed next to a wall or no overhang of the gutter is required.



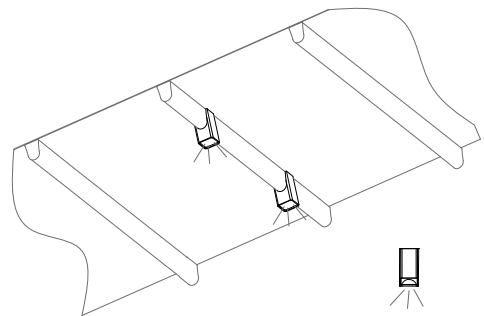
Rafter profile with water guard side channels

The Suntech rafter profiles are designed with water guard side channels for easy installation and to prevent water from entering.



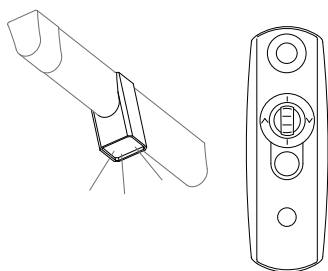
Compact 26rpm direct drive motor box

The Suntech direct drive motor system is a quick and efficient system that drives all conveyor rafters at the same time. The low profile design also allows the fabric to be stored underneath the motor which saves additional space.



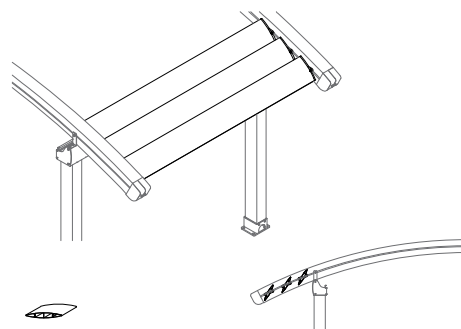
LED-TEC high powered lighting

LED-TEC lighting is an integrated lighting solution that can be added to any Suntech system.



LED-TEC dimmer setup

LED-TEC dimmer lighting is an integrated lighting solution that can be added to any Suntech system.

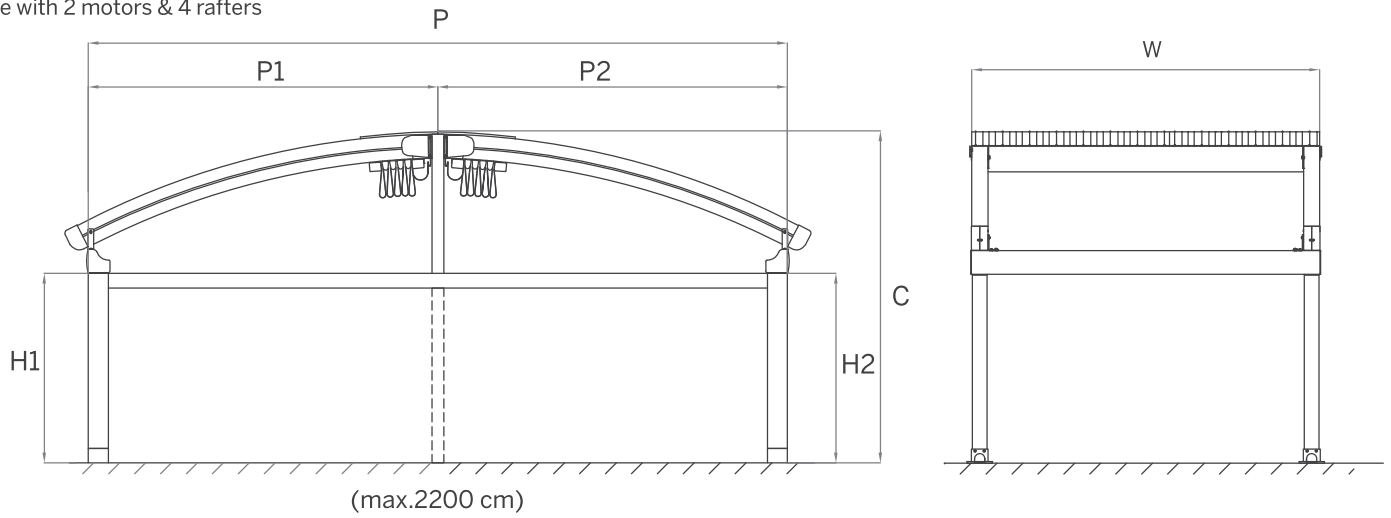


Aerofoil Louvres

The addition of Aerofoil louvres can provide added shade when the system is closed.

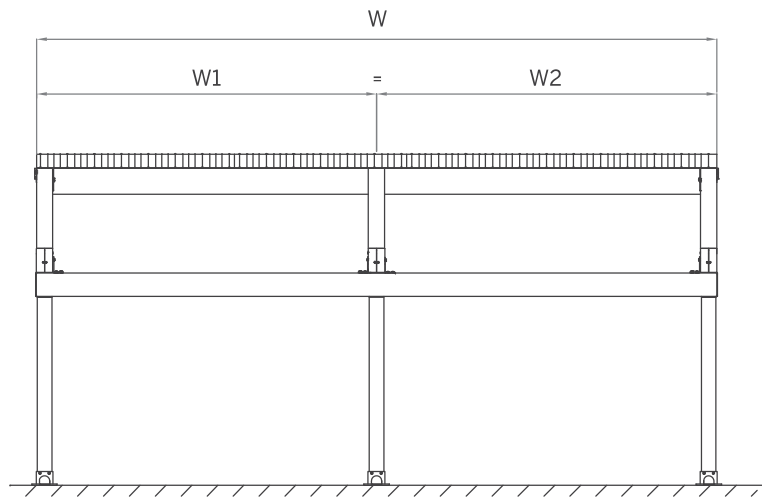
One Module

200 cm > 450 cm
One Module with 2 motors & 4 rafters



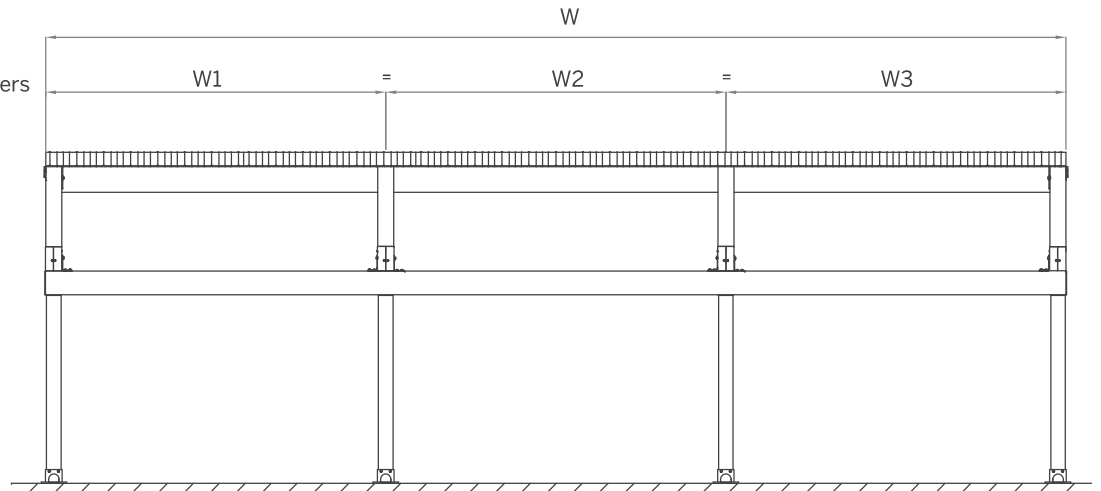
Two Modules

450 cm > 900 cm
Two Modules with 2 motors & 6 rafters

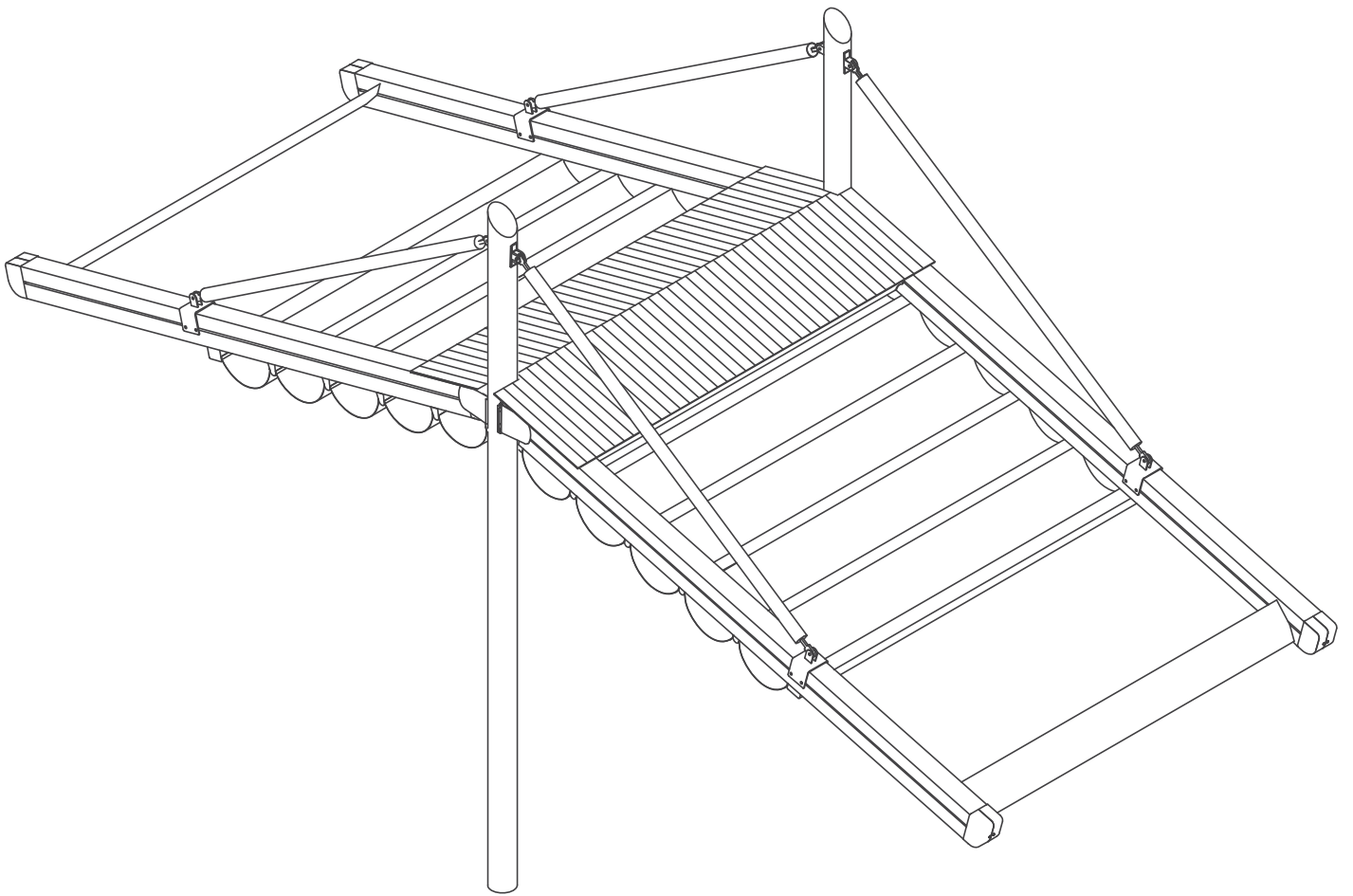


Three Modules

900 cm > 1300 cm
Three Modules with 4 motors & 8 rafters



Tw44



Tw44 double sided retractable hanged system

The TW44 double sided retractable hanged system provides an elegant solution for any project. Each of the custom designs are installed according to site specifications and can easily be adapted as required. This model provides an outdoor covering system with an architectural edge to allow outdoor areas to be used in all weather conditions. The system offers a wind rating up to Beaufort class 11 (up to 117km/h) and are designed to stand up to even the worst of conditions rain, hail or shine.

The site specific models are manufactured to size using high grade 6063 extruded aluminium profiles finished with thermosetting powder coating which provides superior overall performance for exterior product applications. All bolts, screws and pins are high grade stainless steel to ensure extended system life.

The TW44 rafter profiles (LT: 80mm x 125mm / XL: 110mm x 160mm) have been designed with unique water guard side channels and cast aluminium end plates to allow for projections up to 10m per system. Widths are customised according to site requirements and available in any size up to 13m. The TW44 system offers up to 130sqm of protection at the touch of a button but when required linking multiple systems is also possible and made easy by our patented storm channel joining system that ensures 100% waterproof join every time. The TW44 system also includes an integrated gutter system with internal drainage to carry away even the heaviest rain.

Remote controlled motorisation is provided by utilising European technology through a custom built direct drive motor system to ensure smooth and quick operation at 26RPM. The optional hi powered LED-TEC lighting system provides a practical touch of class and when coupled with a remote dimming controller allows the user to change the mood to suit the surrounding environment.

The heart of the system is driven by the Suntech F3 eight wheel slider carriages (each F3 slider carriage has a load limit of 600kgs) that incorporates a triple layer barrier system and works in conjunction with a timing belt that has been reinforced with multiple internal stainless steel cables to provide a pulling strength of over 966kg. It's this tension that is applied to the fabric membrane to allow an angle of 6 degrees fall possible and ensure all water drains away in the internal gutter system.

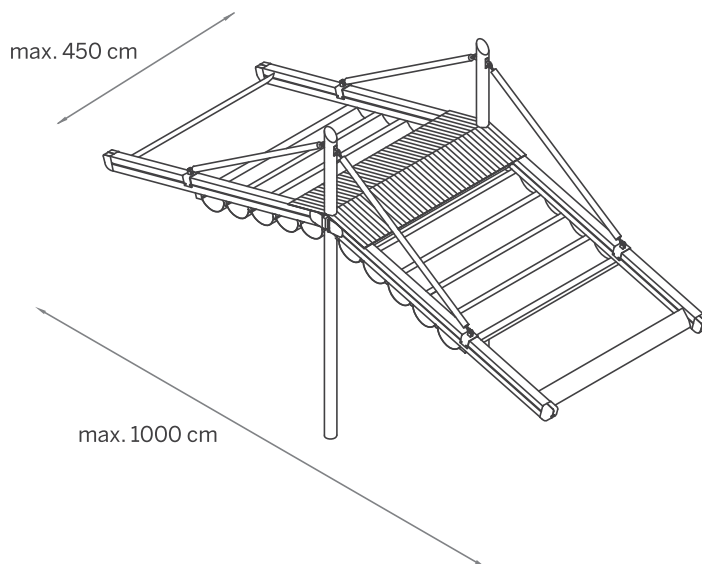
The fire rated and 100% waterproof architectural membrane is available in a range of colours in both opaque and transparent that provides maximum stability and resistance to temperature, moisture and dirt. It does not shrink or bag, and the acrylic top coating makes it very easy to clean for years to come. When not in use the fabric is neatly retracted under the systems hood to provide protection from the elements when not required.

To ensure the highest level of protection Suntech systems focus on all the details, this is why all Suntech systems come standard finished with Stormguard soft touch edge seal on all parameters. Stormguard provides the ultimate protection against rain and draught intrusion around the outside of the system and is only available on our systems. Stormguards soft touch edge seal is produced from an extra soft & flexible Natural rubber to ensure the best possible protection from the elements.

Tw44

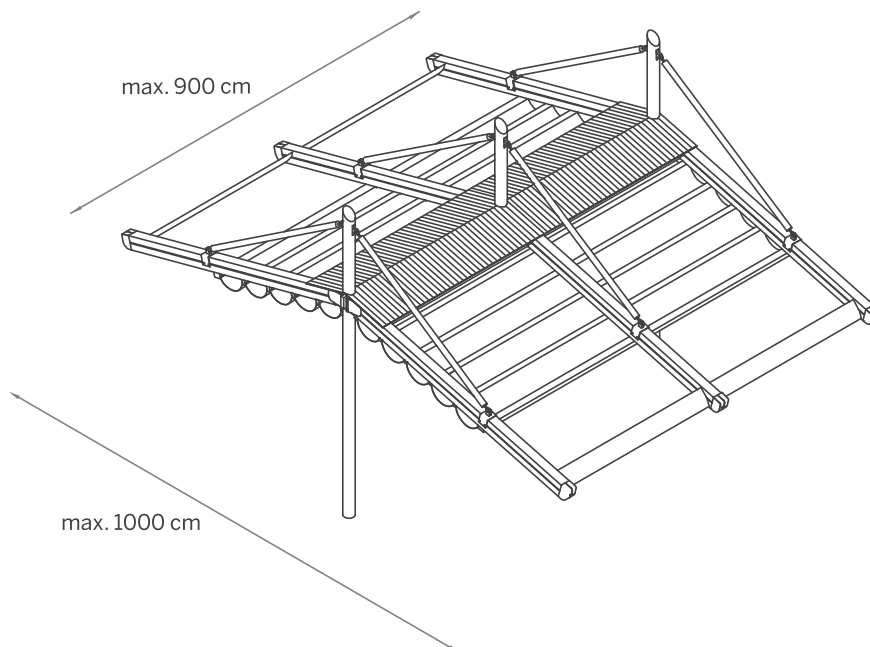
One Module

200 cm > 450 cm
One Module with 2 motor & 4 rafters



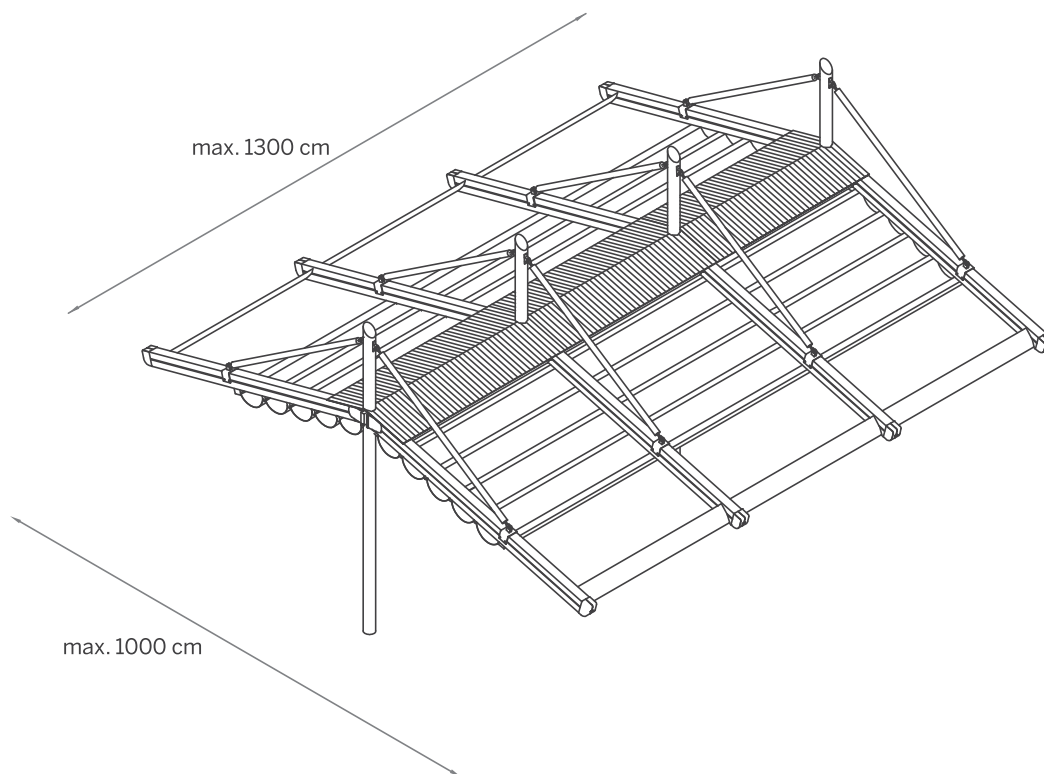
Two Modules

450 cm > 900 cm
Two Modules with 2 motor & 6 rafters

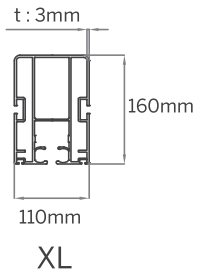
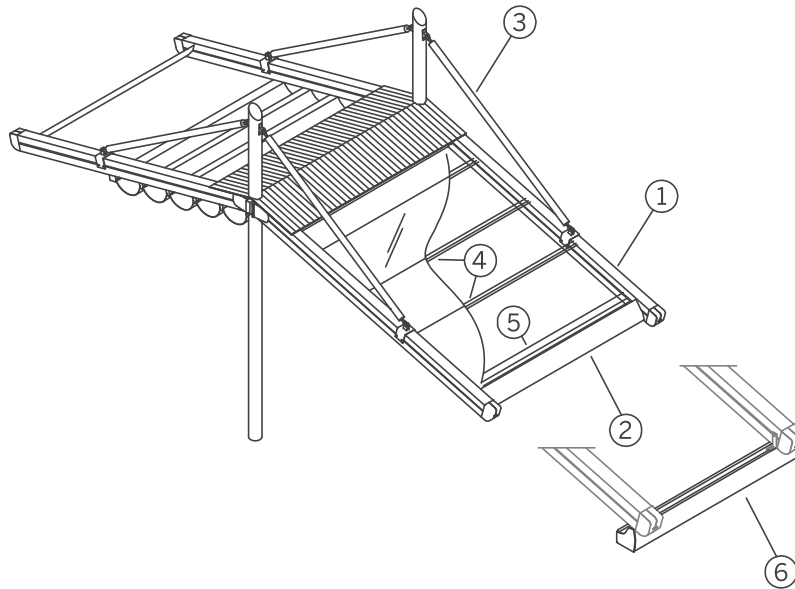


Three Modules

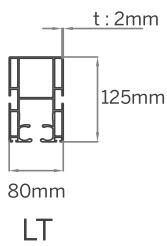
900 cm > 1300 cm
Three Modules with 2 motor & 8 rafters



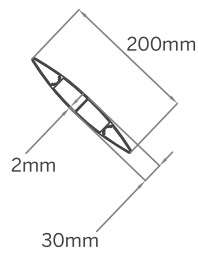
Tw44



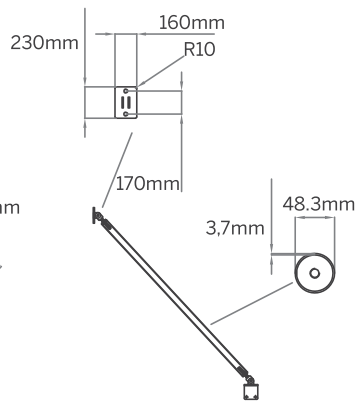
① Rafter



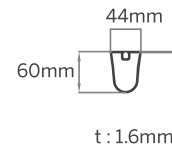
② Aerofoil Louvre



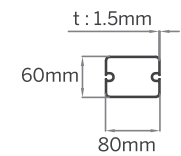
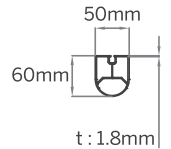
③ Hang



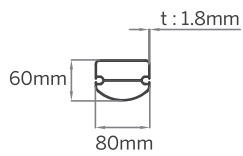
④ Fabric Support (Standart)



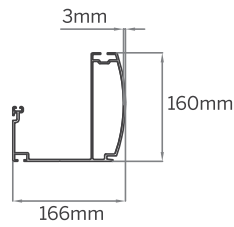
④ Fabric Support (HDD Lux)



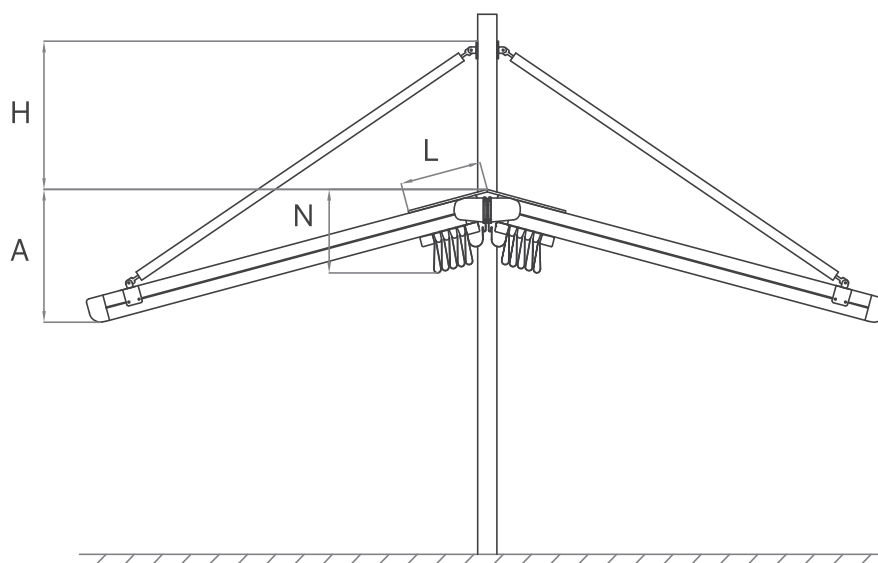
⑤ Puller Profile (Standart)



⑤ Puller Profile (HDD Lux)



⑥ Gutter



TW 44 LT

	Fabric Height (N*) mm	Hood (L*) mm	Fall (A*, **) mm	Hang Distance (H*) mm	Fab.Sup.Profiles pc*
Projection (P) cm 600	403	701	485	664	14
700	411	766	546	805	16
800	418	821	608	945	18
900	431	931	669	1085	22
1000	437	1151	731	1225	24

*With min. inclination of 7°. Values can vary by other inclination values.

** +160 mm distance with optional front gutter system.

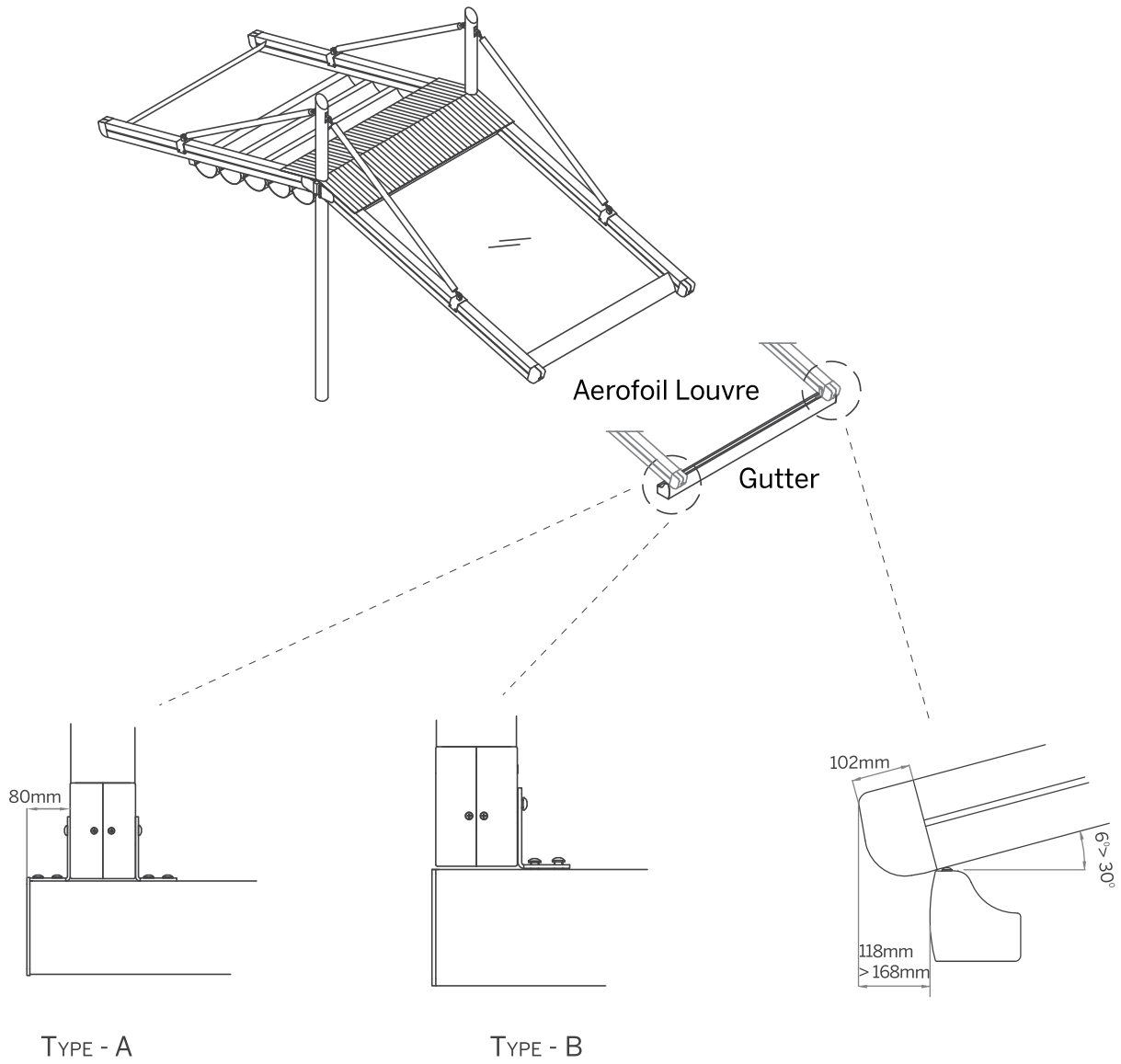
TW 44 XL

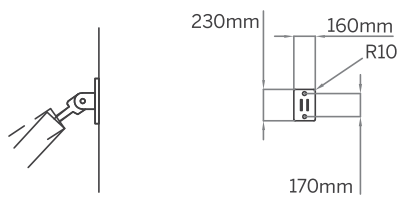
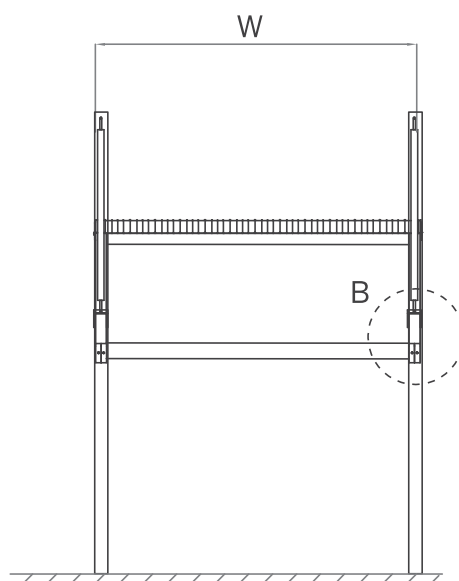
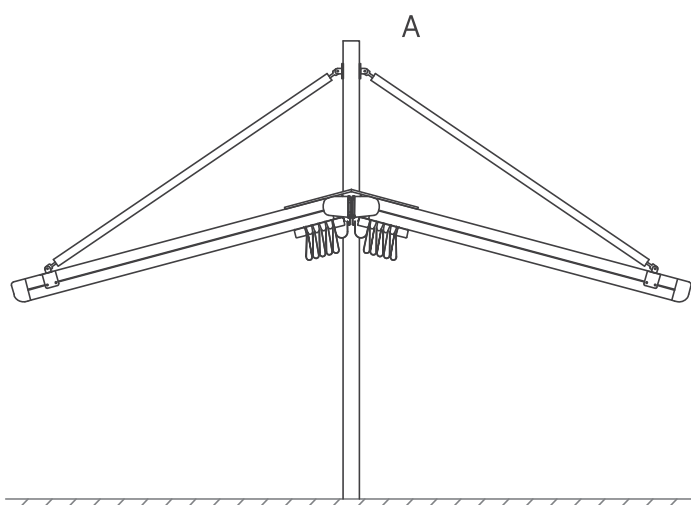
	Fabric Height (N*) mm	Hood (L*) mm	Fall (A*, **) mm	Hang Distance (H*) mm	Fab.Sup.Profiles pc*
Projection (P) cm 600	438	706	511	664	14
700	446	761	573	805	16
800	453	816	634	945	18
900	466	926	696	1085	22
1000	472	981	757	1225	24

*With min. inclination of 7°. Values can vary by other inclination values.

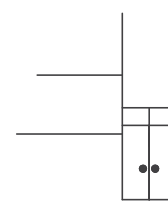
** +160 mm distance with optional front gutter system.

Tw44

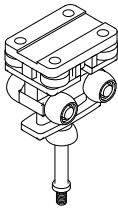




DETAIL A

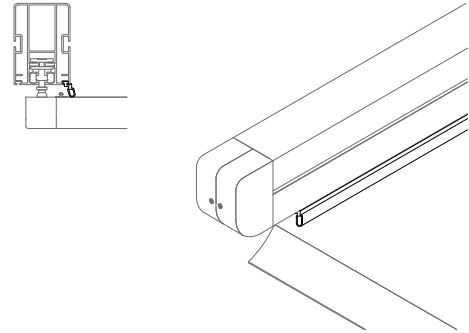


DETAIL B



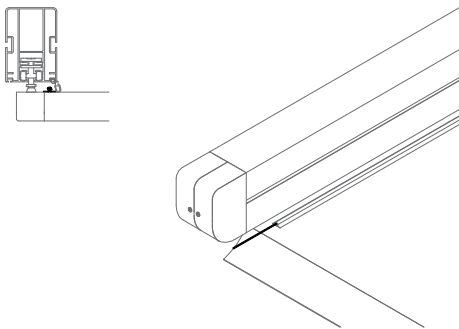
F3 Eight wheel slider

Four horizontal & four vertical rollers working together for perfectly smooth operation every time. The F3 eight wheel system is proven to remove the jamming issue that occurs with the 4 wheel system and can take loads of upto 600KG.



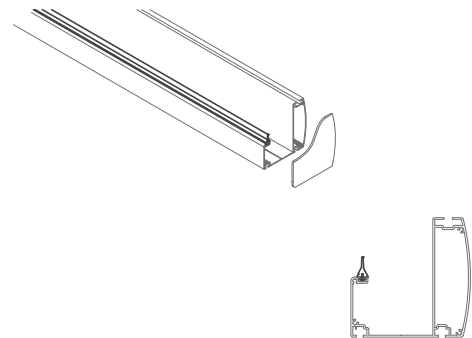
Rafter stormguard edge seal

The rafter Stormguard edge seal stops water from dripping over the side of the system by providing a soft cushioning barrier along the side of the system.



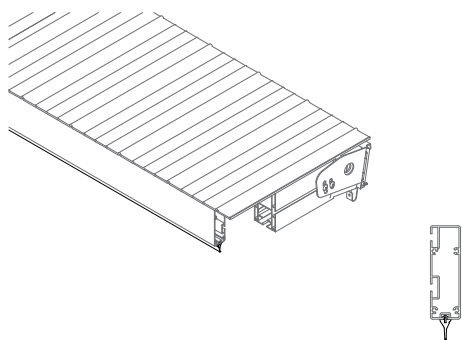
Fabric anti-drop edge cord with electrical cable

The fabric anti-drip edge cord with integrated lighting electrical cable works in conjunction with the Stormguard edge seal to prevent any water leaks over the side of the system.



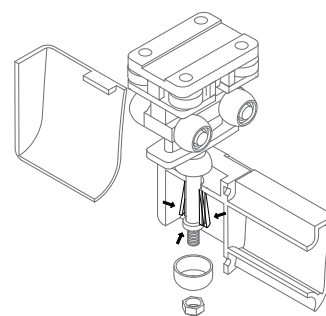
Gutter stormguard seal

The Stormguard gutter seal provides a perfect seal to prevent water leaks along the front of the system from driving rain or splashing from the gutter.



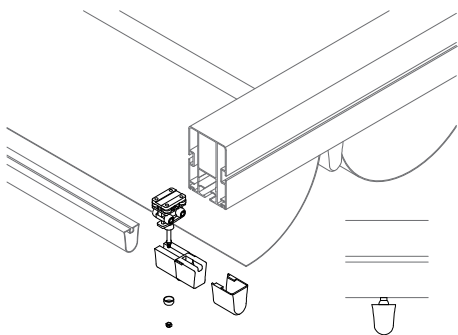
Hood stormguard seal

The Stormguard hood seal provides the perfect seal to prevent driving rain&wind coming in under the hood profiles.



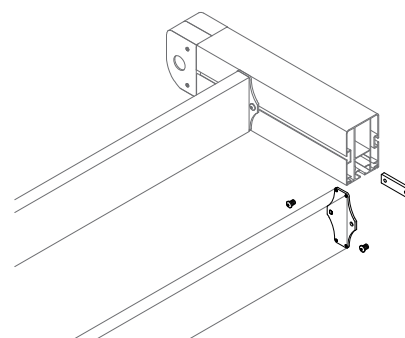
F3 slider easy clip installation

The F3 system has been designed for ease of use, to save time on installations and reduce the number of staff required. Each F3 slider can take loads of upto 600KG once in place.



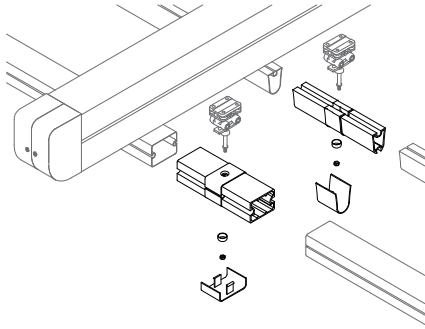
F3 slider and fabric profile assembly

The system has been designed for ease of assembly to save time on installations and reduce the number of staff required.



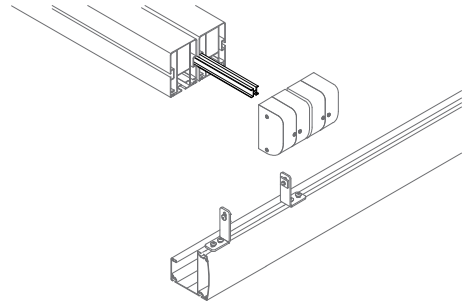
Motorbox support & hood support profile easy installation

Each support profile is easy to install and simple to adjust at the time of installation.



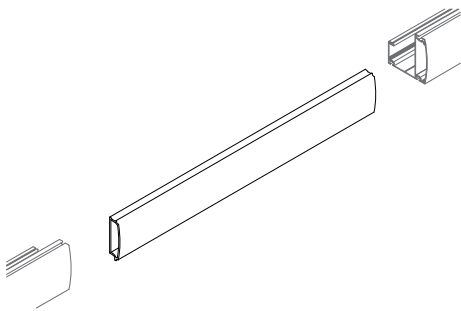
Easy clip intermediate joints (for 2 & 3 module systems)

The Easy clip intermediate joints have been designed for ease of site assembly to save time and reduce the number of staff required.



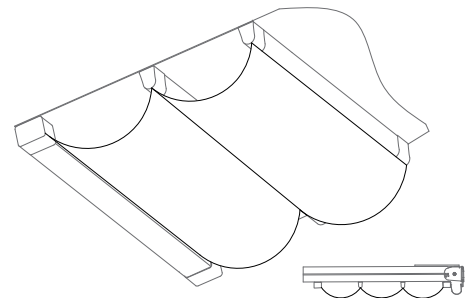
Storm channel for joining system

The storm channel is patented solution for joining two systems side by side with a waterproof join.



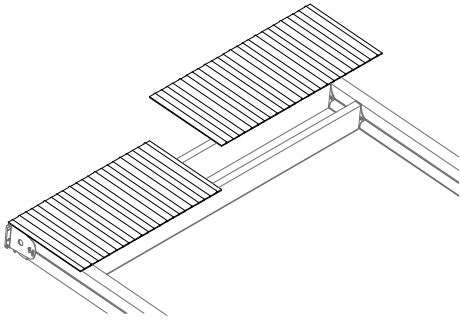
Gutter profile joining piece

A smart solution for joining the gutter profile.



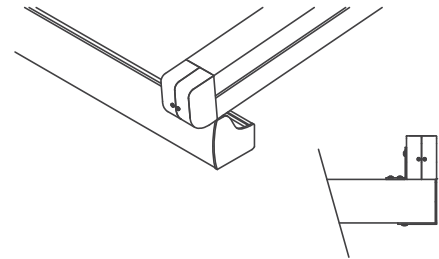
Decorative fabric under layer

The second decorative fabric under layer of fabric can provide an elegant touch of class.



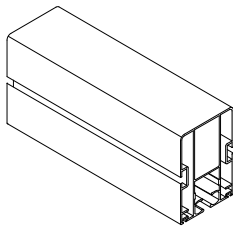
Hood profile sheets

Suntech's hood profile sheets provide an attractive covering solution for the system when not in use. The low profile aesthetic design offer added protection to the system with a chic touch.



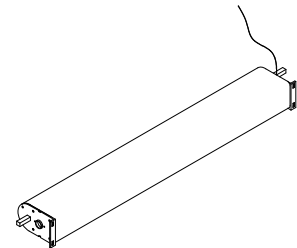
Gutter flush with rafter

Gutter solution for when the system is installed next to a wall or no overhang of the gutter is required.



Rafter profile with water guard side channels

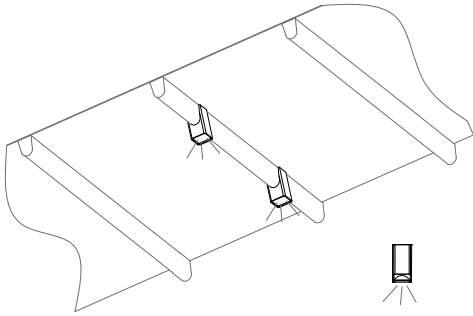
The Suntech rafter profiles are designed with water guard side channels for easy installation and to prevent water from entering.



Compact 26rpm direct drive motor box

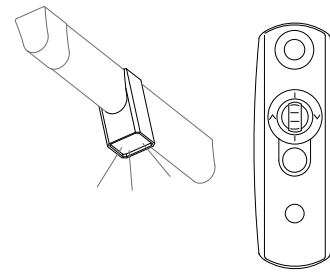
The Suntech direct drive motor system is a quick and efficient system that drives all conveyer rafters at the same time. The low profile design also allows the fabric to be stored underneath the motor which saves additional space.

Tw44



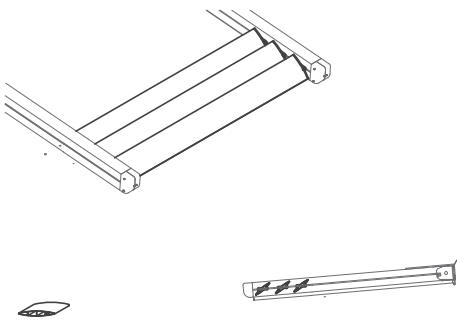
LED-TEC high powered lighting

LED-TEC lighting is a integrated lighting solution that can be added to any Suntech system.



LED-TEC dimmer setup

LED-TEC dimmer lighting is a integrated lighting solution that can be added to any Suntech system.

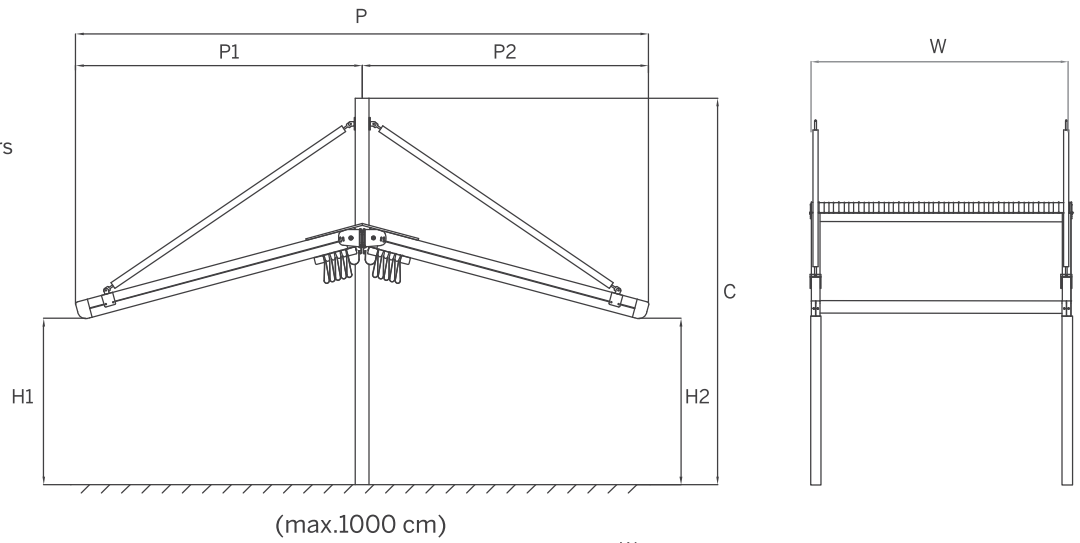


Aerofoil Louvres

The addition of Aerofoil louvres can provide added shade when the system is closed.

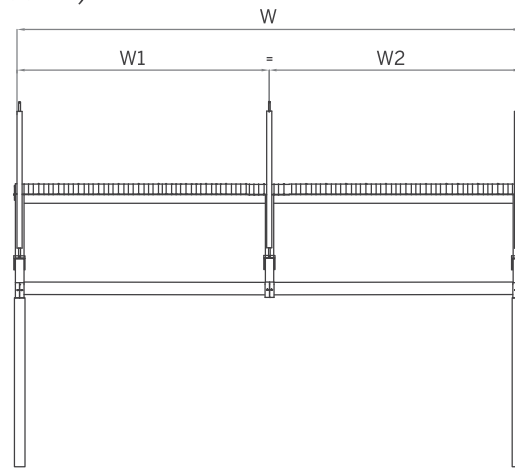
One Module

200 cm > 450 cm
One Module with 2 motors & 4 rafters



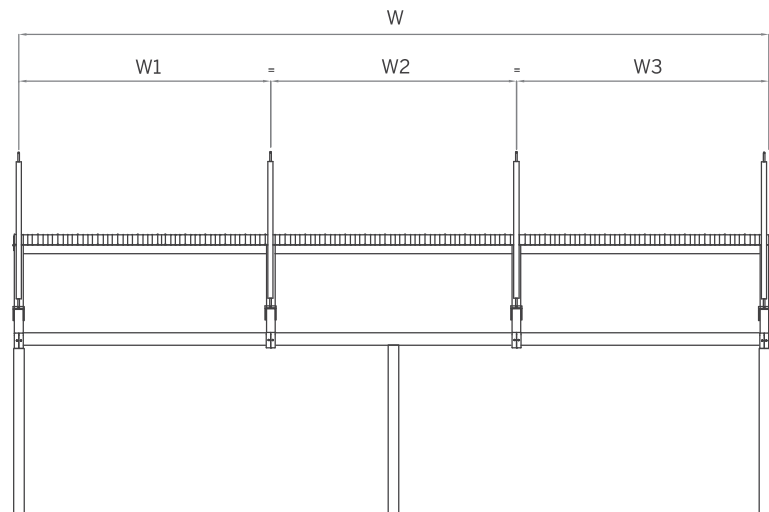
Two Modules

450 cm > 900 cm
Two Modules with 2 motors & 6 rafters

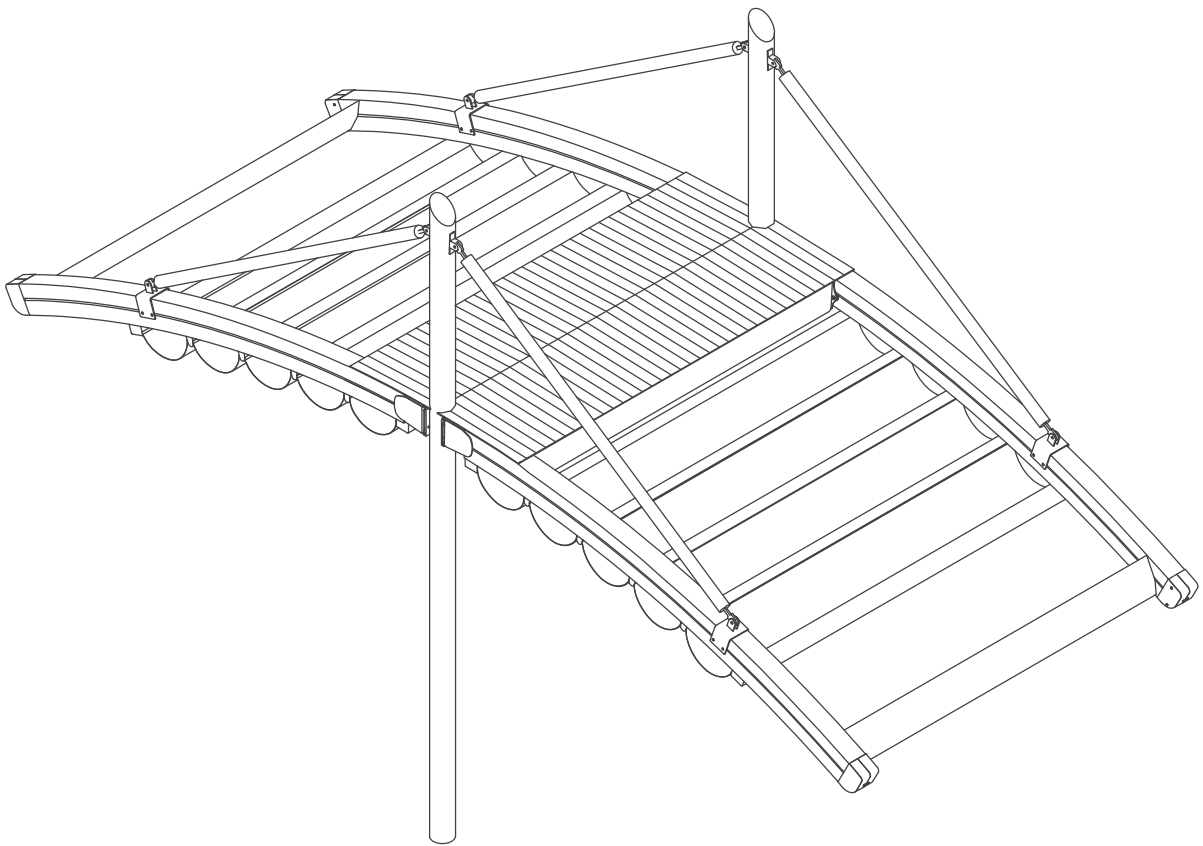


Three Modules

900 cm > 1300 cm
Three Modules with 2 motors & 8 rafters



Tw55



Tw55 double sided retractable hanged system with curved rafters

The TW55 double sided retractable hanged system With Curved Rafters provides an elegant solution for any project. Each of the custom designs are installed according to site specifications and can easily be adapted as required. This model provides an outdoor covering system with an architectural edge to allow outdoor areas to be used in all weather conditions. The system offers a wind rating up to Beaufort class 11 (up to 117km/h) and are designed to stand up to even the worst of conditions rain, hail or shine.

The site specific models are manufactured to size using high grade 6063 extruded aluminium profiles finished with thermosetting powder coating which provides superior overall performance for exterior product applications. All bolts, screws and pins are high grade stainless steel to ensure extended system life.

The TW55 rafter profiles (LT: 80mm x 125mm / XL: 110mm x 160mm) have been designed with unique water guard side channels and cast aluminium end plates to allow for projections up to 10m per system. Widths are customised according to site requirements and available in any size up to 13m. The TW55 system offers up to 130sqm of protection at the touch of a button but when required linking multiple systems is also possible and made easy by our patented storm channel joining system that ensures 100% waterproof join every time. The TW55 system also includes an integrated gutter system with internal drainage to carry away even the heaviest rain.

Remote controlled motorisation is provided by utilising European technology through a custom built direct drive motor system to ensure smooth and quick operation at 26RPM. The optional hi powered LED-TEC lighting system provides a practical touch of class and when coupled with a remote dimming controller allows the user to change the mood to suit the surrounding environment.

The heart of the system is driven by the Suntech F3 eight wheel slider carriages (each F3 slider carriage has a load limit of 600kgs) that incorporates a triple layer barrier system and works in conjunction with a timing belt that has been reinforced with multiple internal stainless steel cables to provide a pulling strength of over 966kg. It's this tension that is applied to the fabric membrane to allow an angle of 6 degrees fall possible and ensure all water drains away in the internal gutter system.

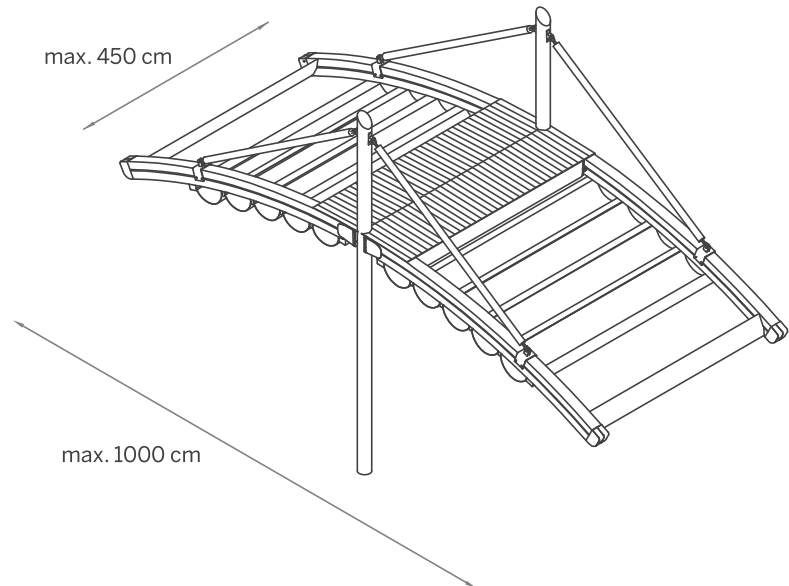
The fire rated and 100% waterproof architectural membrane is available in a range of colours in both opaque and transparent that provides maximum stability and resistance to temperature, moisture and dirt. It does not shrink or bag, and the acrylic top coating makes it very easy to clean for years to come. When not in use the fabric is neatly retracted under the systems hood to provide protection from the elements when not required.

To ensure the highest level of protection Suntech systems focus on all the details, this is why all Suntech systems come standard finished with Stormguard soft touch edge seal on all parameters. Stormguard provides the ultimate protection against rain and draught intrusion around the outside of the system and is only available on our systems. Stormguards soft touch edge seal is produced from an extra soft & flexible Natural rubber to ensure the best possible protection from the elements.

Tw55

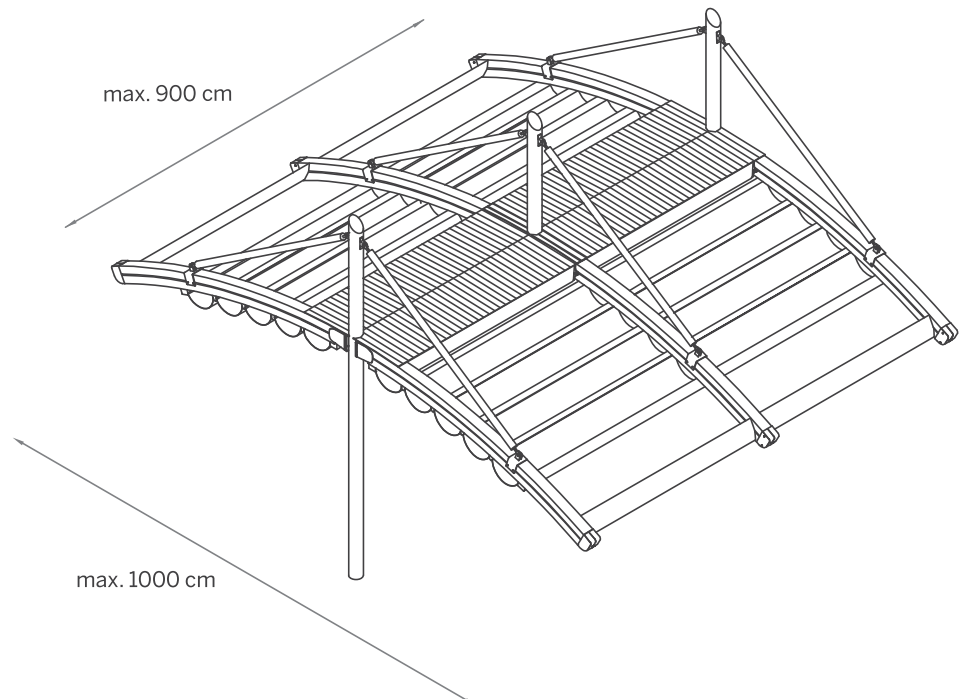
One Module

200 cm > 450 cm
One Module with 2 motor & 4 rafters



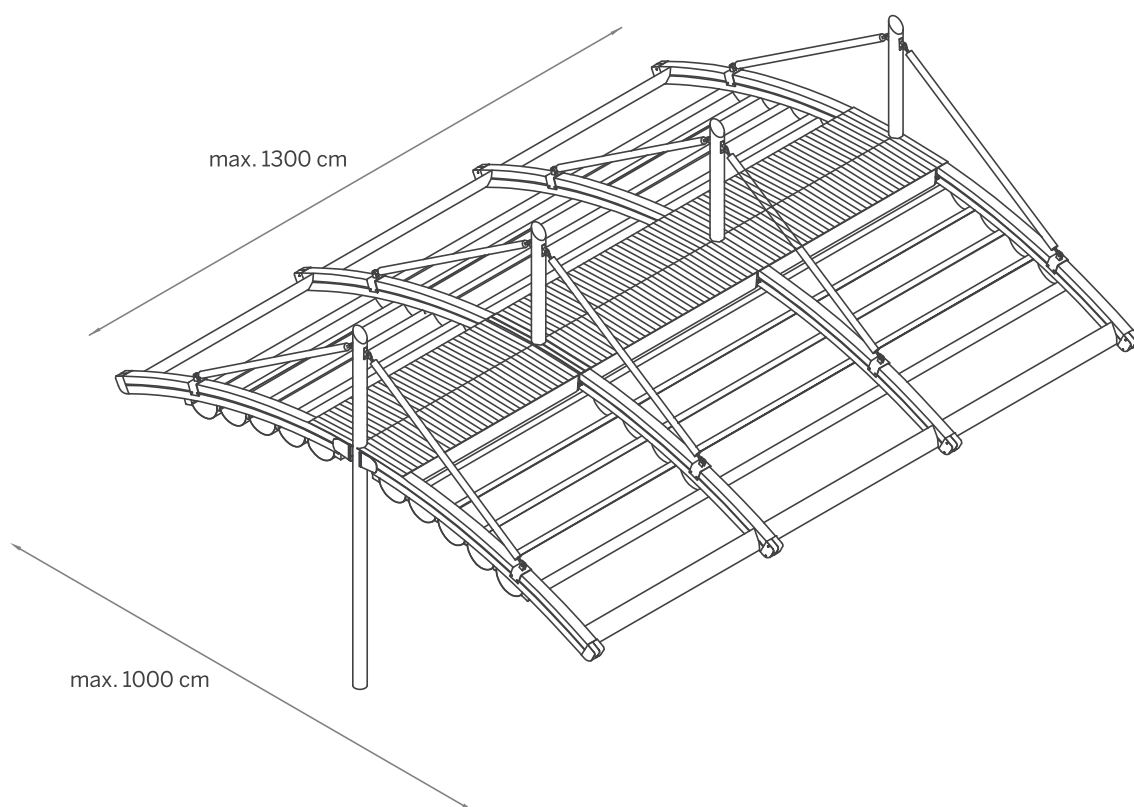
Two Modules

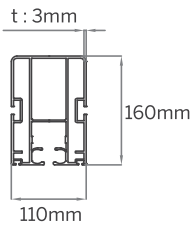
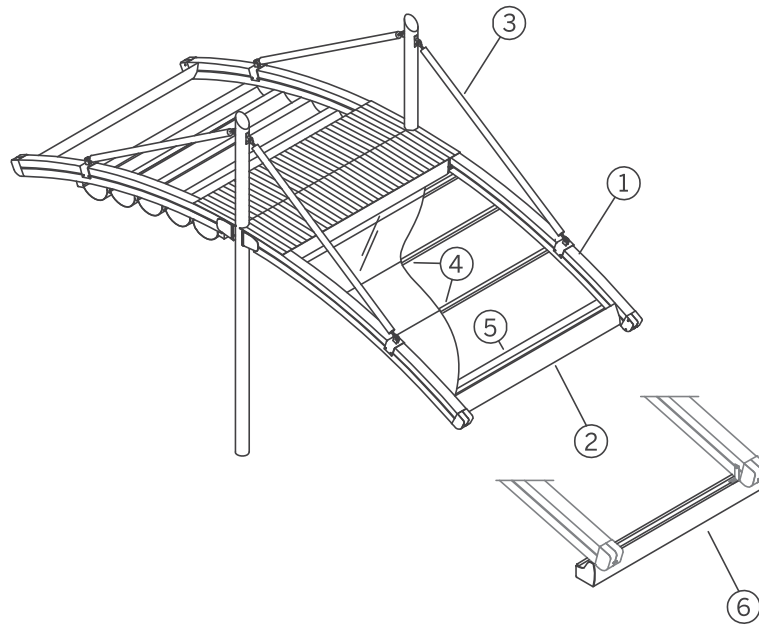
450 cm > 900 cm
Two Modules with 2 motor & 6 rafters



Three Modules

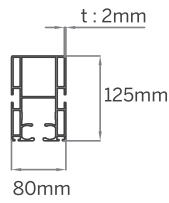
900 cm > 1300 cm
Three Modules with 2 motor & 8 rafters



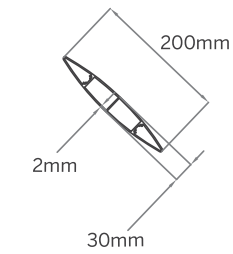


XL

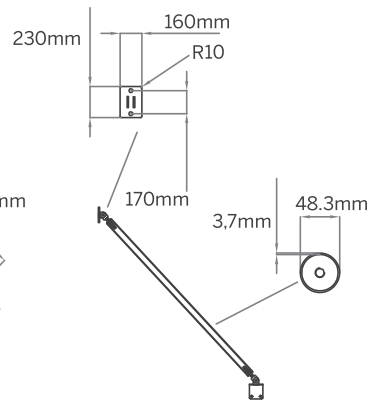
① Rafter



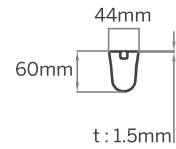
LT



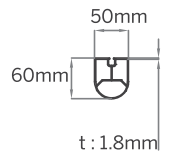
② Aerofoil Louvre



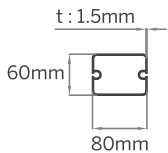
③ Hang



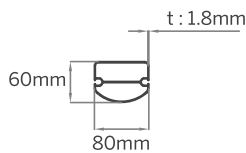
④ Fabric Support (Standart)



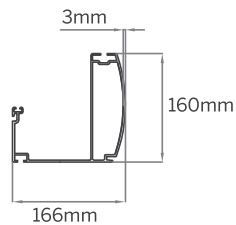
④ Fabric Support (HDD Lux)



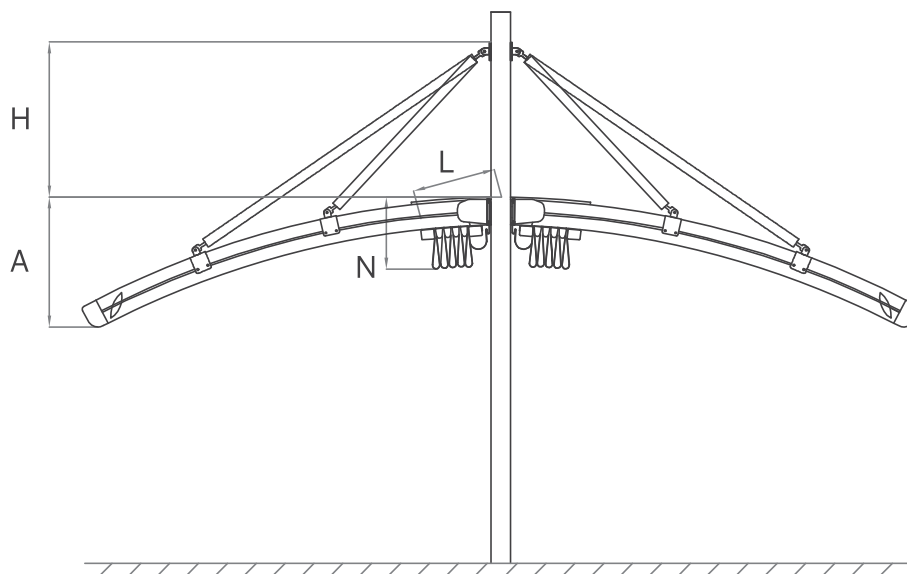
⑤ Puller Profile (Standart)



⑤ Puller Profile (HDD Lux)



⑥ Gutter



TW 55 LT

Projection (P) cm	Fabric Height	Hood	Fall	Hang Distance	Fab.Sup.Profiles
	(N*) mm	(L*) mm	(A*,**) mm	(H*) mm	pc*
600	387	787	677	766	16
700	389	852	828	967	18
800	393	890	922	1161	20
900	396	936	1054	1382	22
1000	396	968	1173	1592	24

*Values can vary by different radius values.

** +160 mm distance with optional front gutter system.

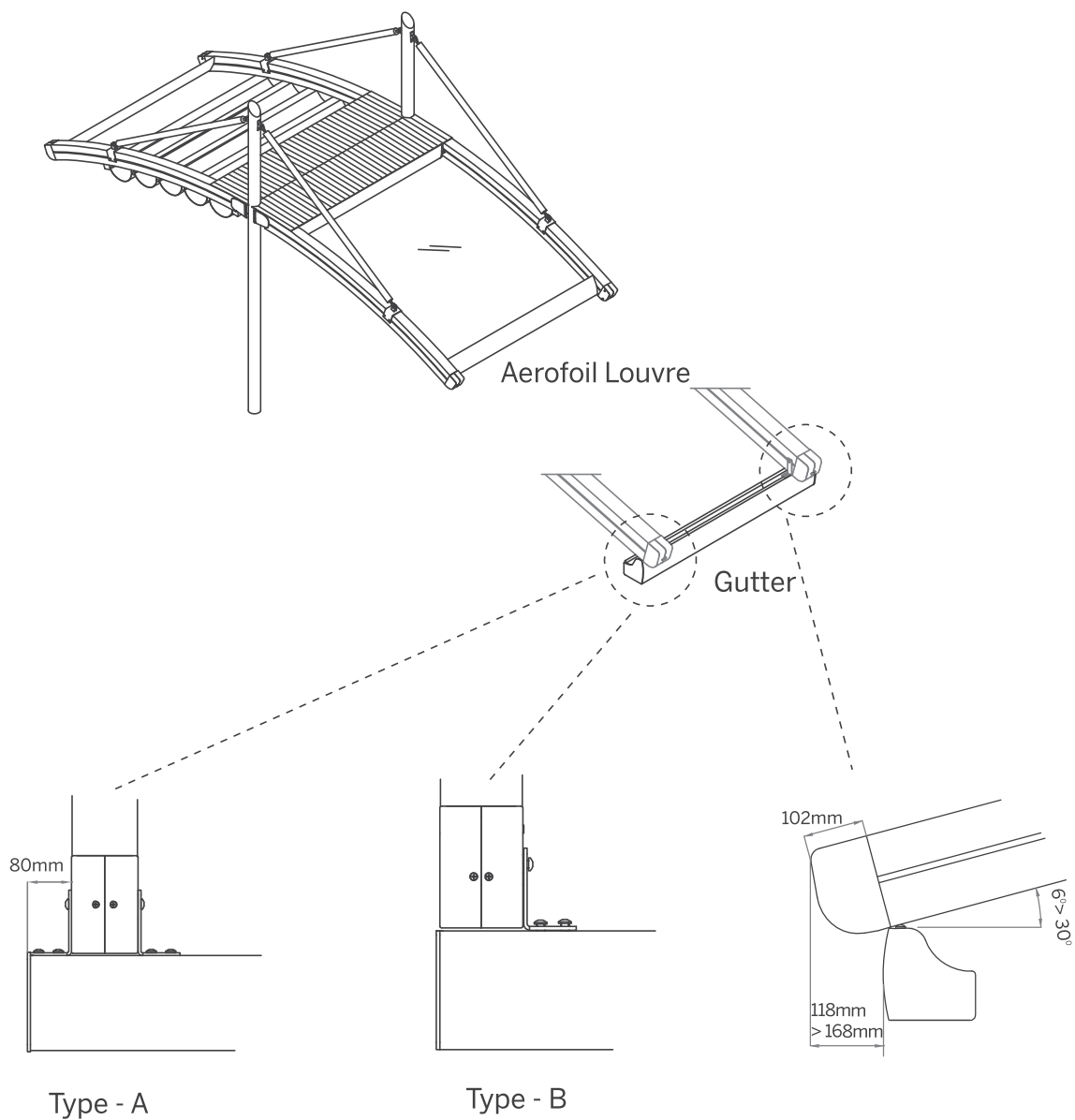
TW 55 XL

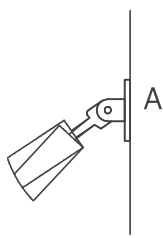
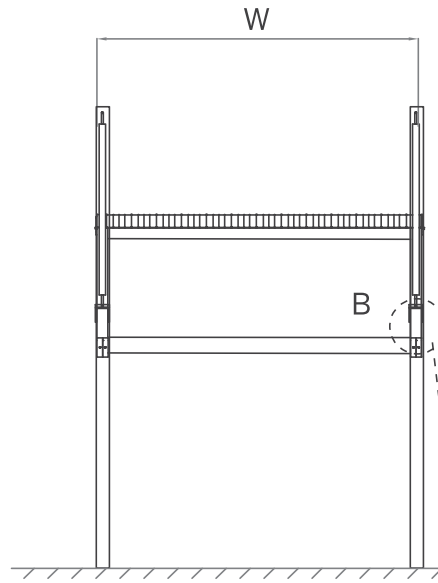
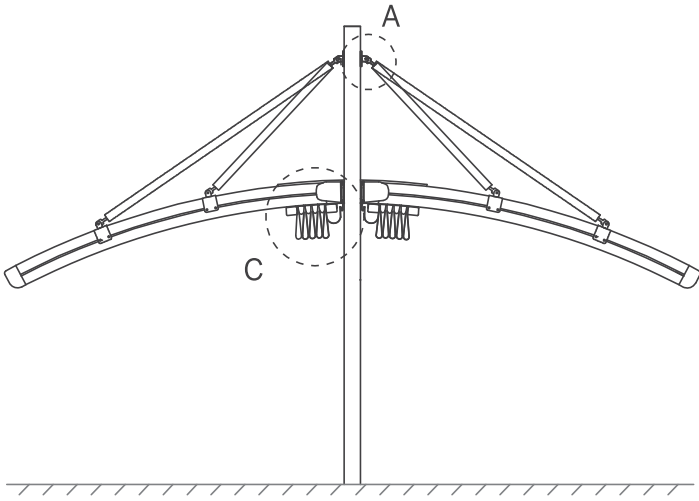
Projection (P) cm	Fabric Height	Hood	Fall	Hang Distance	Fab.Sup.Profiles
	(N*) mm	(L*) mm	(A*,**) mm	(H*) mm	pc*
600	412	767	705	766	16
700	415	805	857	967	18
800	418	861	951	1161	20
900	421	917	1082	1382	22
1000	421	968	1202	1592	24

*Values can vary by different radius values.

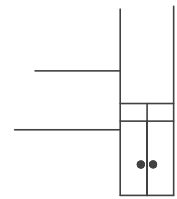
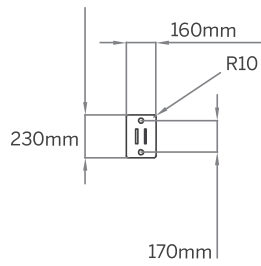
** +160 mm distance with optional front gutter system.

Tw55

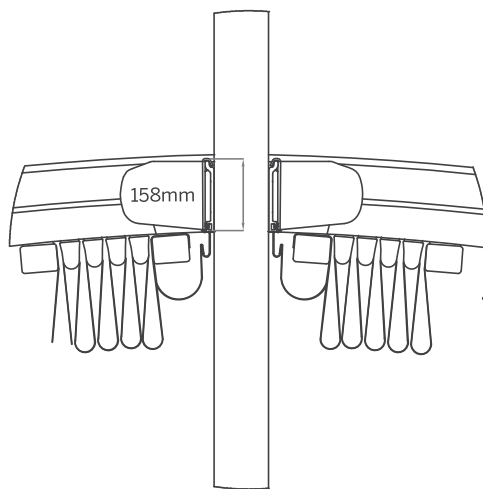




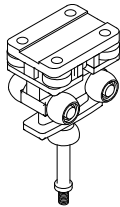
DETAIL A



DETAIL B

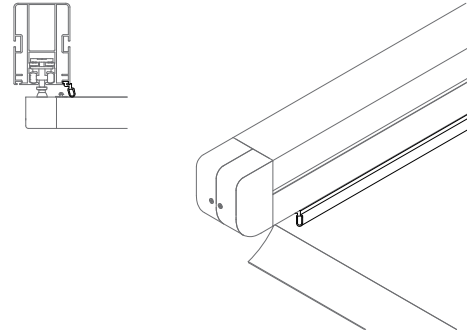


DETAIL C



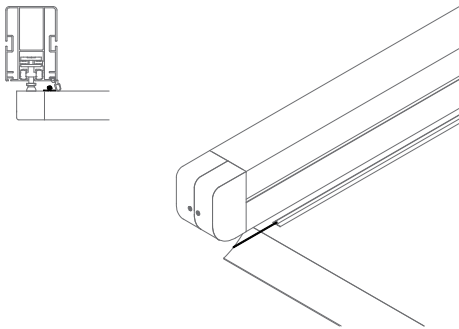
F3 Eight wheel slider

Four horizontal & four vertical rollers working together for perfectly smooth operation every time. The F3 eight wheel system is proven to remove the jamming issue that occurs with the 4 wheel system and can take loads of upto 600KG.



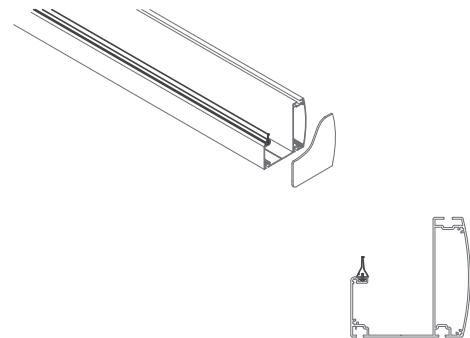
Rafter stormguard edge seal

The rafter Stormguard edge seal stops water from dripping over the side of the system by providing a soft cushioning barrier along the side of the system.



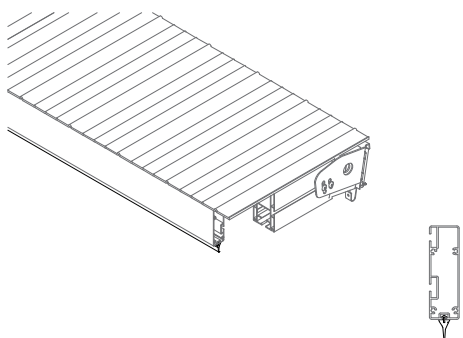
Fabric anti-drop edge cord with electrical cable

The fabric anti-drip edge cord with integrated lighting electrical cable works in conjunction with the Stormguard edge seal to prevent any water leaks over the side of the system.



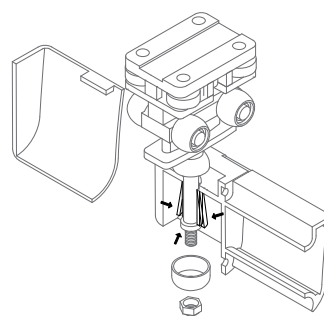
Gutter stormguard seal

The Stormguard gutter seal provides a perfect seal to prevent water leaks along the front of the system from driving rain or splashing from the gutter.



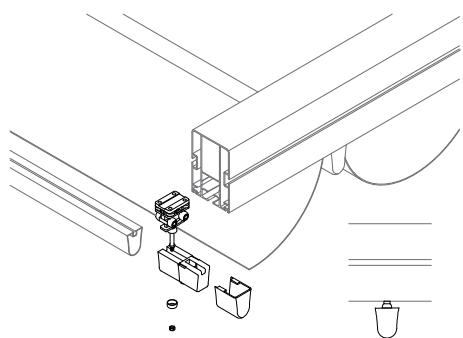
Hood stormguard seal

The Stormguard hood seal provides the perfect seal to prevent driving rain&wind coming in under the hood profiles.



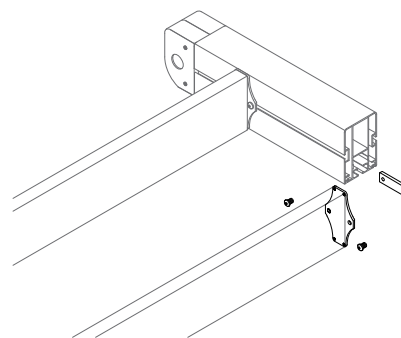
F3 slider easy clip installation

The F3 system has been designed for ease of use, to save time on installations and reduce the number of staff required. Each F3 slider can take loads of upto 600KG once in place.



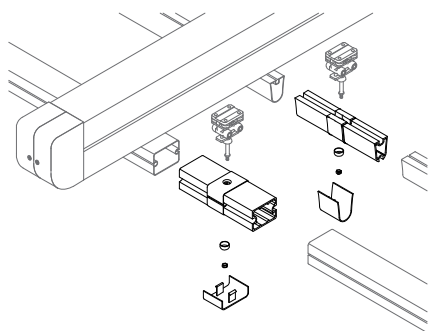
F3 slider and fabric profile assembly

The system has been designed for ease of assembly to save time on installations and reduce the number of staff required.



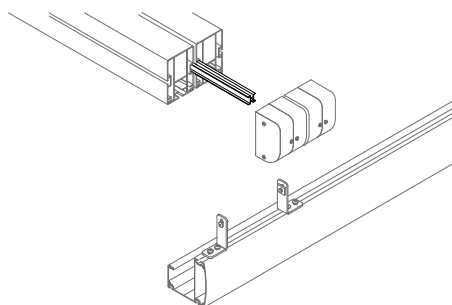
Motorbox support & hood support profile easy installation

Each support profile is easy to install and simple to adjust at the time of installation.



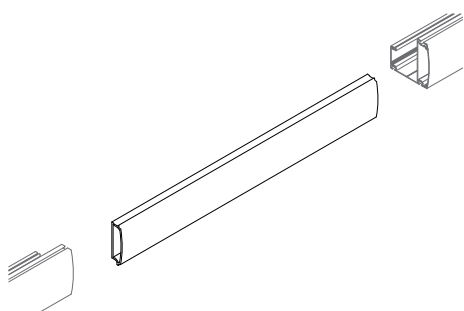
Easy clip intermediate joints (for 2 & 3 module systems)

The Easy clip intermediate joints have been designed for ease of site assembly to save time and reduce the number of staff required.



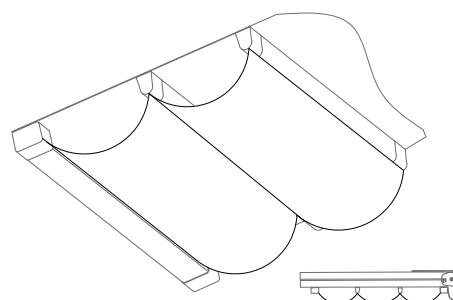
Storm channel for joining system

The storm channel is patented solution for joining two systems side by side with a waterproof join.



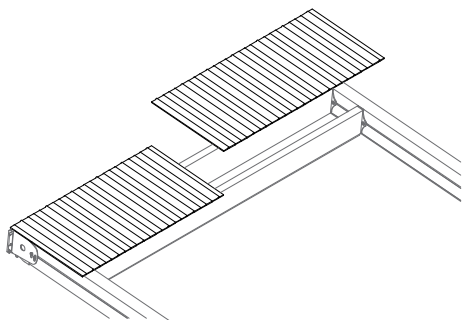
Gutter profile joining piece

A smart solution for joining the gutter profile.



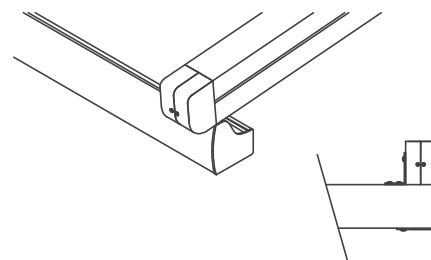
Decorative fabric under layer

The second decorative fabric under layer of fabric can provide an elegant touch of class.



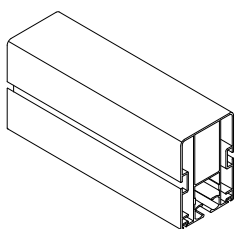
Hood profile sheets

Suntech's hood profile sheets provide an attractive covering solution for the system when not in use. The low profile aesthetic design offer added protection to the system with a chic touch.



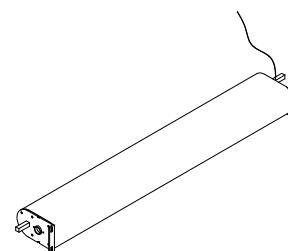
Gutter flush with rafter

Gutter solution for when the system is installed next to a wall or no overhang of the gutter is required.



Rafter profile with water guard side channels

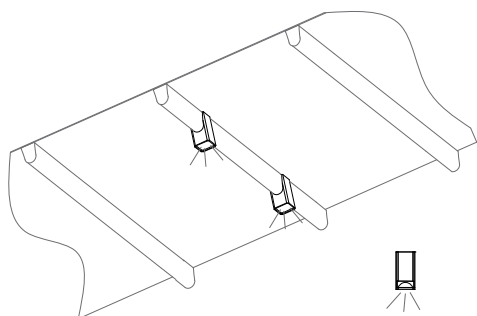
The Suntech rafter profiles are designed with water guard side channels for easy installation and to prevent water from entering.



Compact 26rpm direct drive motor box

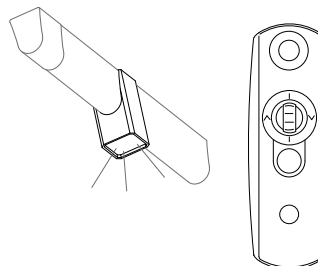
The Suntech direct drive motor system is a quick and efficient system that drives all conveyer rafters at the same time. The low profile design also allows the fabric to be stored underneath the motor which saves additional space.

Tw55



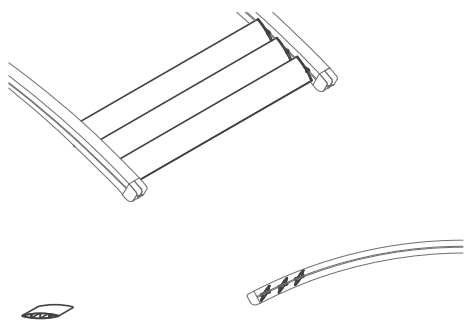
LED-TEC high powered lighting

LED-TEC lighting is a integrated lighting solution that can be added to any Suntech system.



LED-TEC dimmer setup

LED-TEC dimmer lighting is a integrated lighting solution that can be added to any Suntech system.

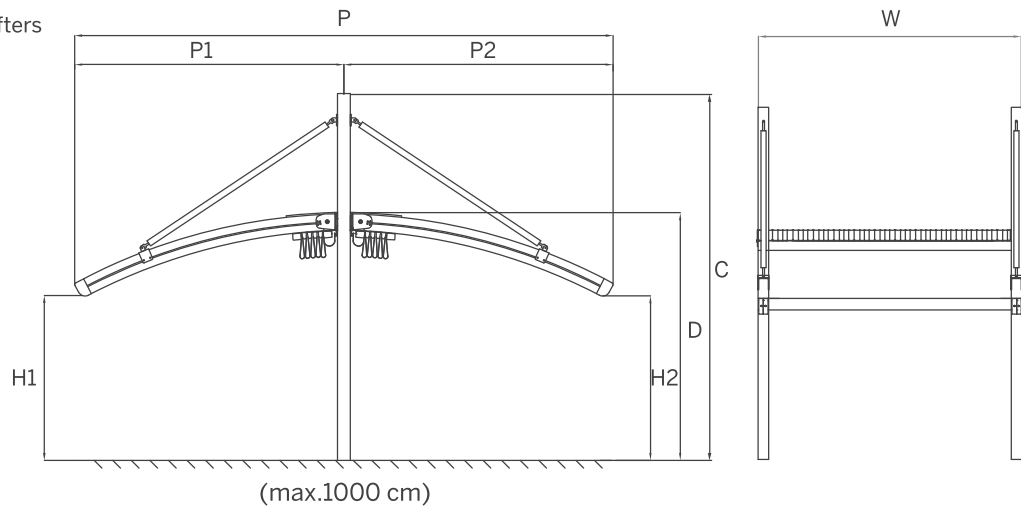


Aerofoil Louvres

The addition of Aerofoil louvres can provide added shade when the system is closed.

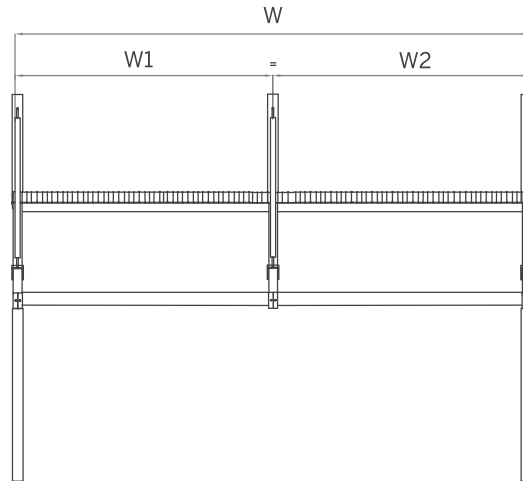
One Module

200 cm > 450 cm
One Module with 2 motors & 4 rafters



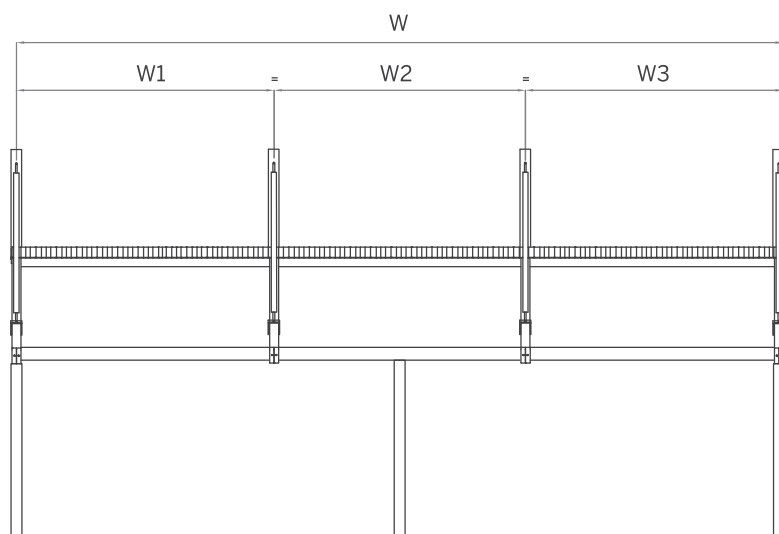
Two Modules

450 cm > 900 cm
Two Modules with 2 motors & 6 rafters

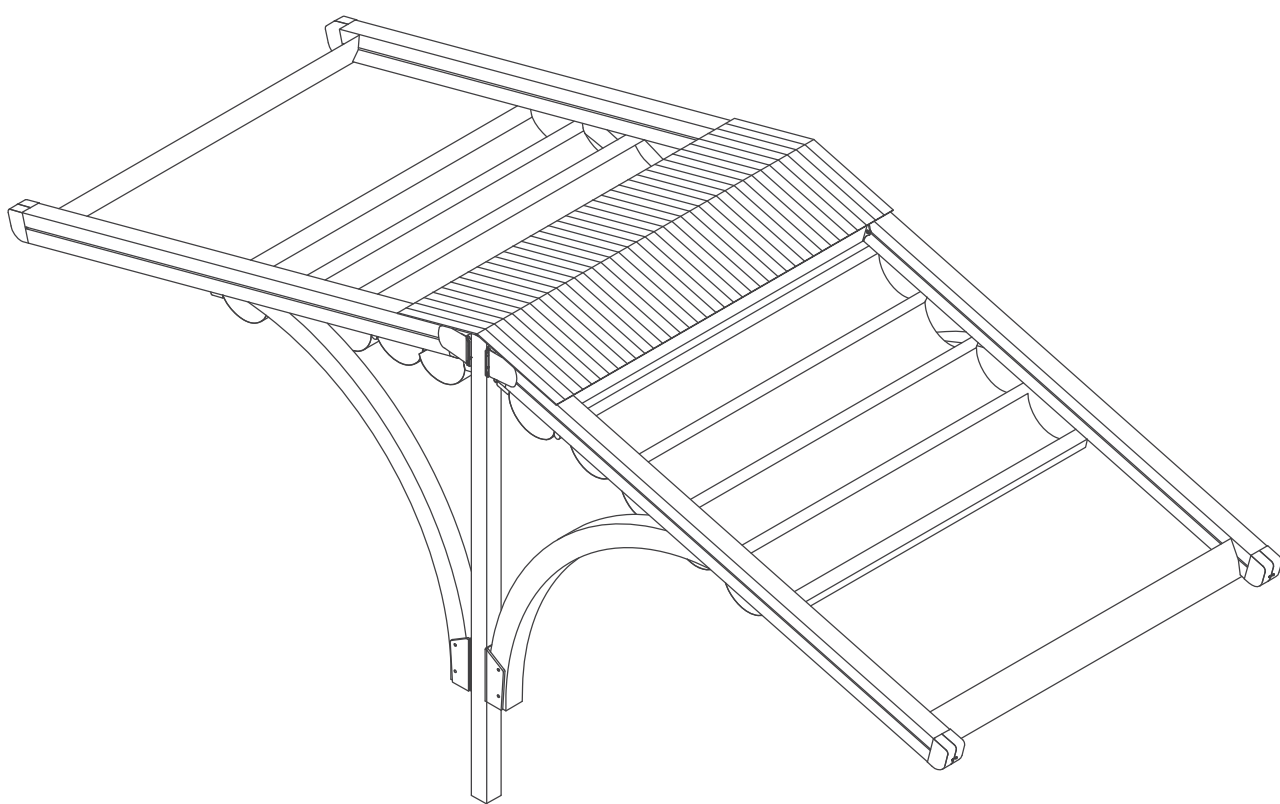


Three Modules

900 cm > 1300 cm
Three Modules with 2 motors & 8 rafters



Tw66



Tw66 double sided arch buttress system

The TW66 double sided arch buttressed retractable pergola systems provide an elegant solution for any project. Each of the custom designs are installed according to site specifications and can easily be adapted as required. This model provides an outdoor covering system with an architectural edge to allow outdoor areas to be used in all weather conditions. The system offers a wind rating up to Beaufort class 11 (up to 117km/h) and are designed to stand up to even the worst of conditions rain, hail or shine.

The site specific models are manufactured to size using high grade 6063 extruded aluminium profiles finished with thermosetting powder coating which provides superior overall performance for exterior product applications. All bolts, screws and pins are high grade stainless steel to ensure extended system life.

The TW66 rafter profiles (LT: 80mm x 125mm / XL: 110mm x 160mm) have been designed with unique water guard side channels and cast aluminium end plates to allow for projections up to 9m per system. Widths are customised according to site requirements and available in any size up to 4,5m. The TW66 system offers up to 40,5sqm of protection at the touch of a button but when required linking multiple systems is also possible and made easy by our patented storm channel joining system that ensures 100% waterproof join every time. The TW66 system also includes an integrated gutter system with internal drainage to carry away even the heaviest rain.

Remote controlled motorisation is provided by utilising European technology through a custom built direct drive motor system to ensure smooth and quick operation at 26RPM. The optional hi powered LED-TEC lighting system provides a practical touch of class and when coupled with a remote dimming controller allows the user to change the mood to suit the surrounding environment.

The heart of the system is driven by the Suntech F3 eight wheel slider carriages (each F3 slider carriage has a load limit of 600kgs) that incorporates a triple layer barrier system and works in conjunction with a timing belt that has been reinforced with multiple internal stainless steel cables to provide a pulling strength of over 966kg. It's this tension that is applied to the fabric membrane to allow an angle of 6 degrees fall possible and ensure all water drains away in the internal gutter system.

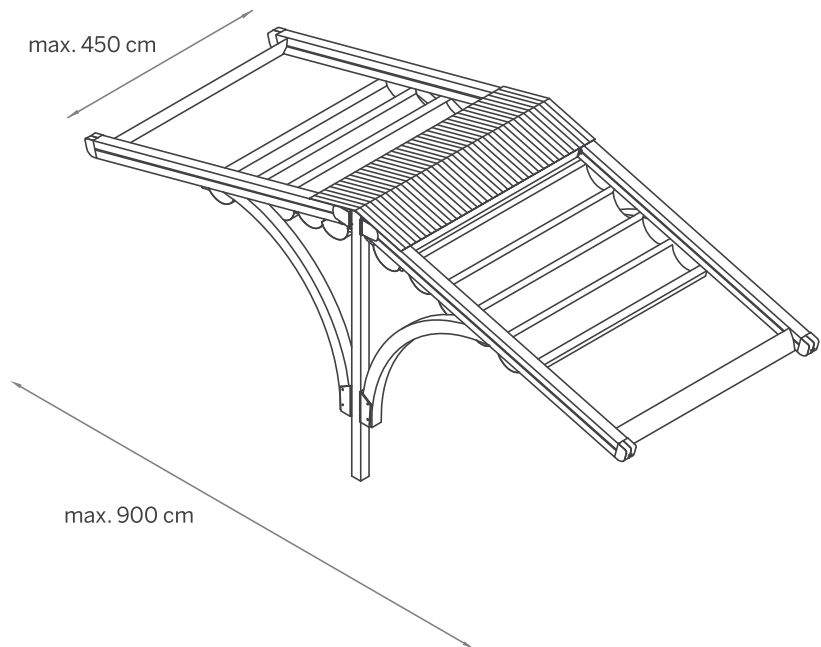
The fire rated and 100% waterproof architectural membrane is available in a range of colours in both opaque and transparent that provides maximum stability and resistance to temperature, moisture and dirt. It does not shrink or bag, and the acrylic top coating makes it very easy to clean for years to come. When not in use the fabric is neatly retracted under the systems hood to provide protection from the elements when not required.

To ensure the highest level of protection Suntech systems focus on all the details, this is why all Suntech systems come standard finished with Stormguard soft touch edge seal on all parameters. Stormguard provides the ultimate protection against rain and draught intrusion around the outside of the system and is only available on our systems. Stormguards soft touch edge seal is produced from an extra soft & flexible Natural rubber to ensure the best possible protection from the elements.

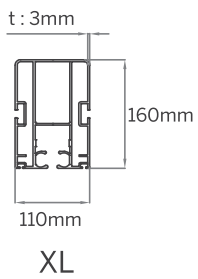
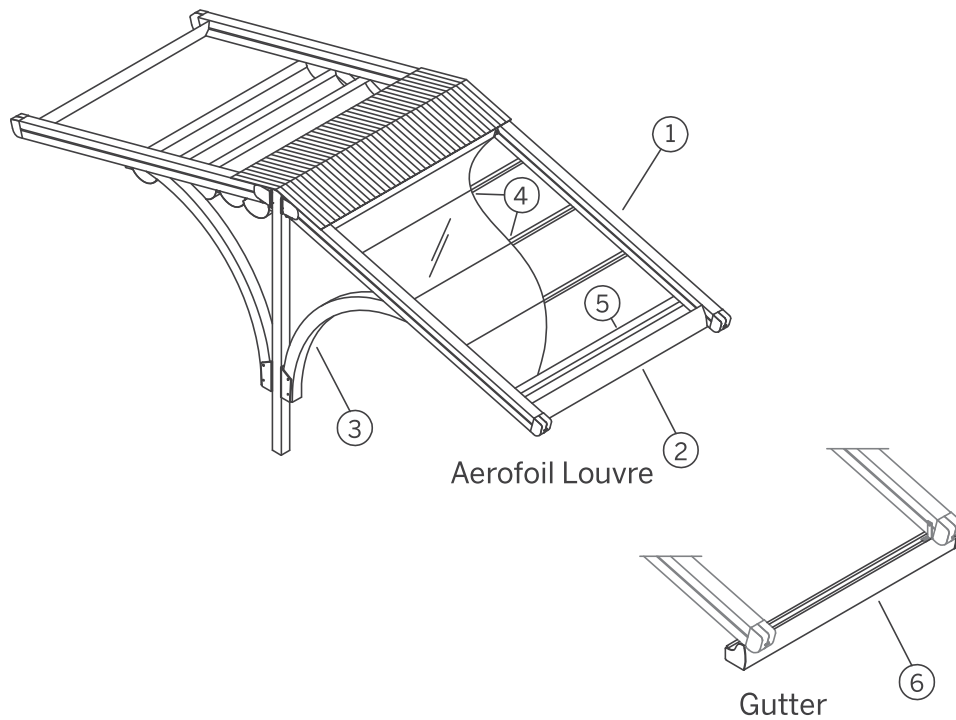
Tw66

One Module

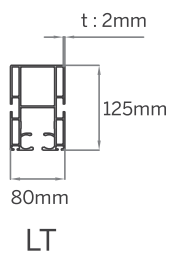
200 cm > 450 cm
One Module with 2 motor & 4 rafters



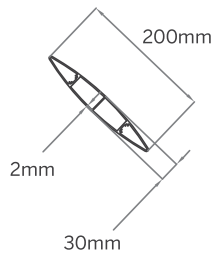
Tw66



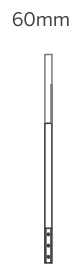
① Rafter



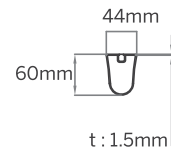
LT



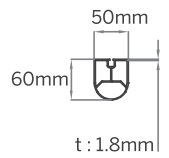
② Aerofoil Louvre



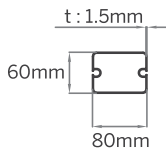
③ Buttress



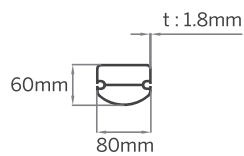
④ Fabric Support (Standart)



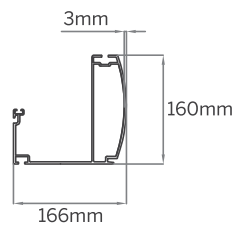
④ Fabric Support (HDD Lux)



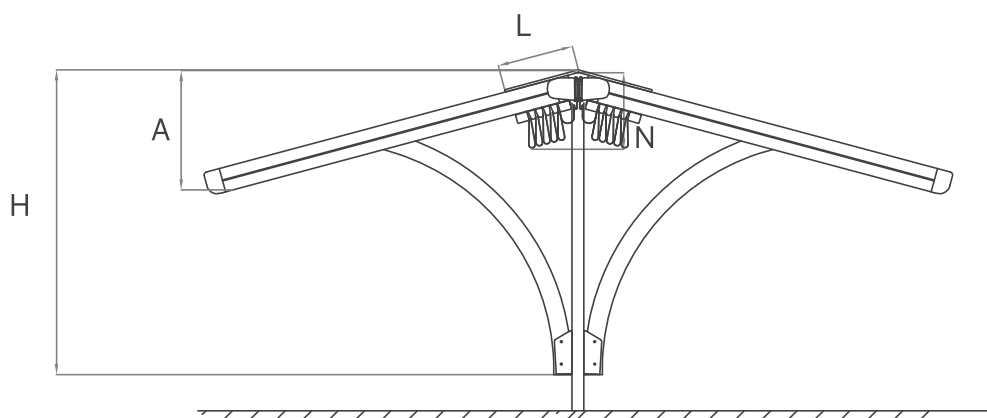
⑤ Puller Profile (Standart)



⑤ Puller Profile (HDD Lux)



⑥ Gutter



TW 66 LT

	Fabric Height	Hood	Fall	Buttress Distance	Fab.Sup.Profiles
	(N*) mm	(L*) mm	(A*,**) mm	(H*) mm	pc*
Projection (P) cm 600	414	651	485	1850	14
700	420	706	546	2000	16
800	426	761	608	2200	18
900	439	871	669	2300	22

* With min. inclination of 7°. Values can vary by other inclination values.

** +160 mm distance with optional front gutter system.

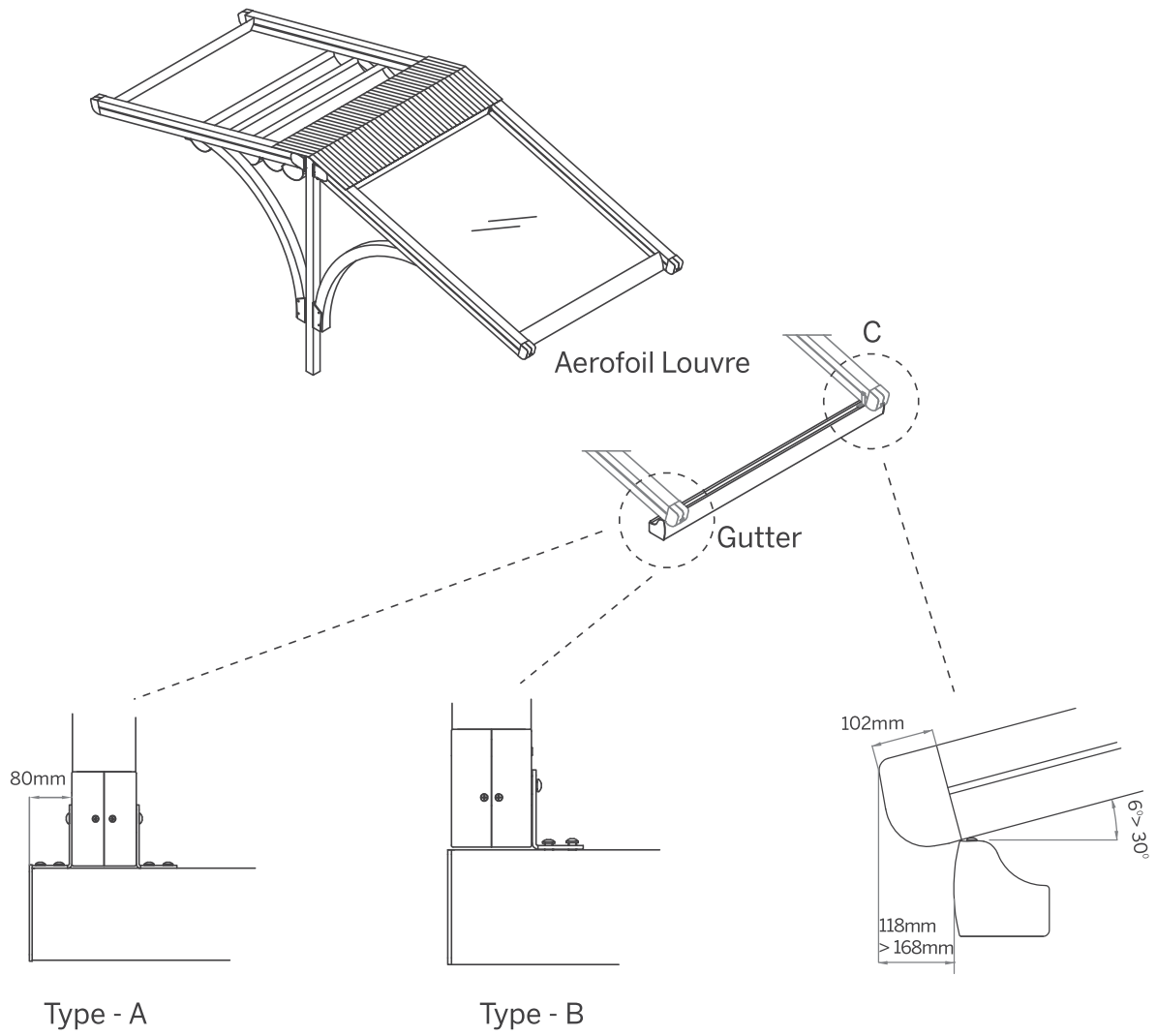
TW 66 XL

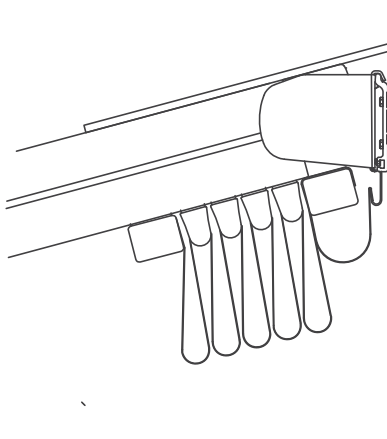
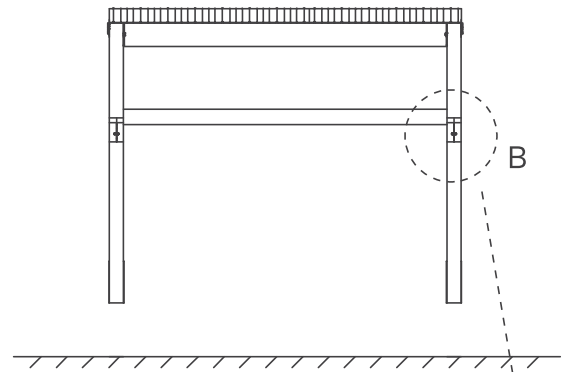
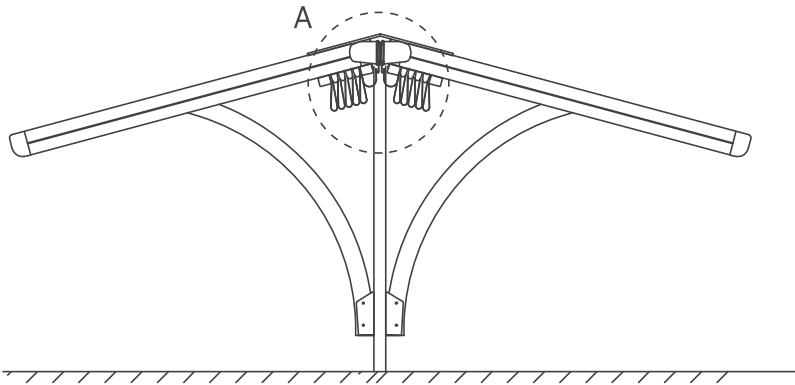
	Fabric Height	Hood	Fall	Buttress Distance	Fab.Sup.Profiles
	(N*) mm	(L*) mm	(A*,**) mm	(H*) mm	pc*
Projection (P) cm 600	438	646	511	1850	14
700	446	701	573	2000	16
800	453	756	634	2200	18
900	466	866	696	2300	22

* With min. inclination of 7°. Values can vary by other inclination values.

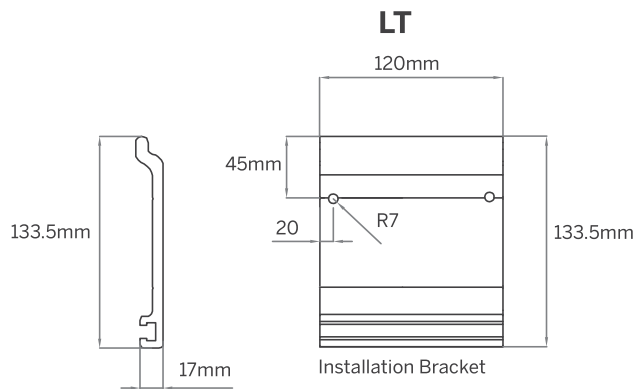
** +160 mm distance with optional front gutter system.

Tw66

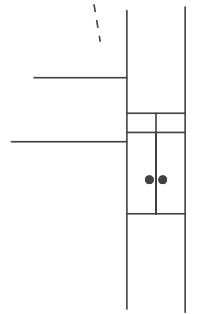




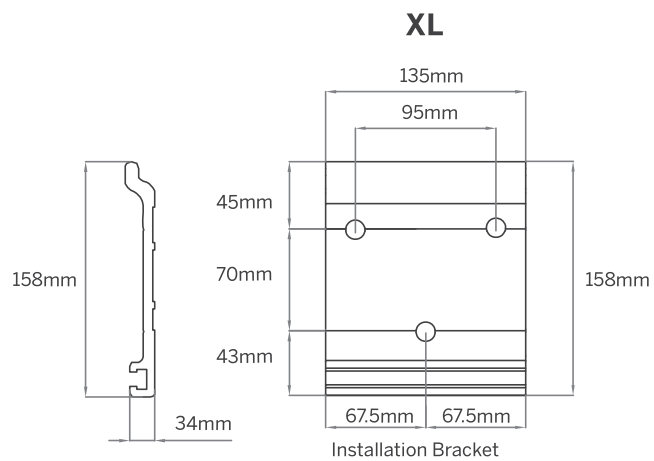
DETAIL A



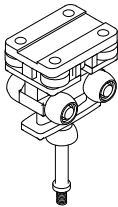
Installation Bracket



DETAIL B

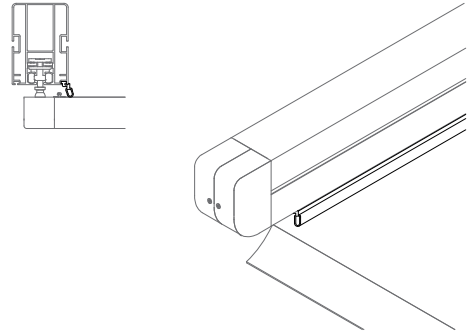


Installation Bracket



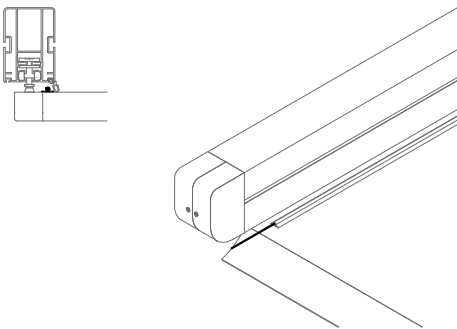
F3 Eight wheel slider

Four horizontal & four vertical rollers working together for perfectly smooth operation every time. The F3 eight wheel system is proven to remove the jamming issue that occurs with the 4 wheel system and can take loads of upto 600KG.



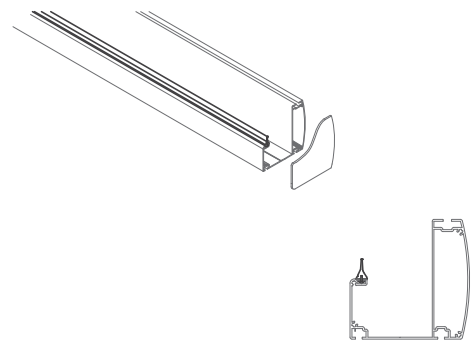
Rafter stormguard edge seal

The rafter Stormguard edge seal stops water from dripping over the side of the system by providing a soft cushioning barrier along the side of the system.



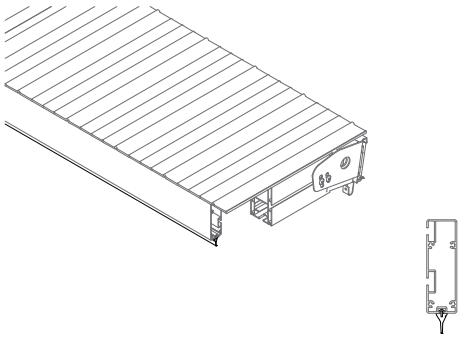
Fabric anti-drop edge cord with electrical cable

The fabric anti-drip edge cord with integrated lighting electrical cable works in conjunction with the Stormguard edge seal to prevent any water leaks over the side of the system.



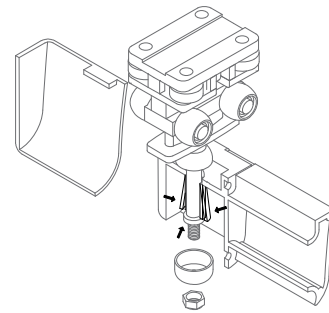
Gutter stormguard seal

The Stormguard gutter seal provides a perfect seal to prevent water leaks along the front of the system from driving rain or splashing from the gutter.



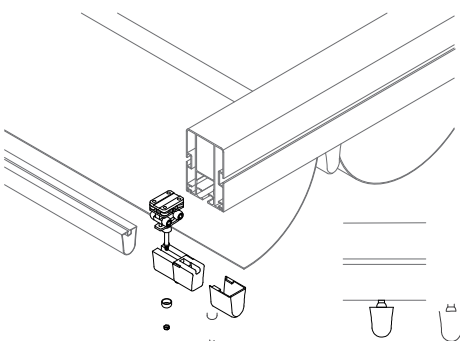
Hood stormguard seal

The Stormguard hood seal provides the perfect seal to prevent driving rain&wind coming in under the hood profiles.



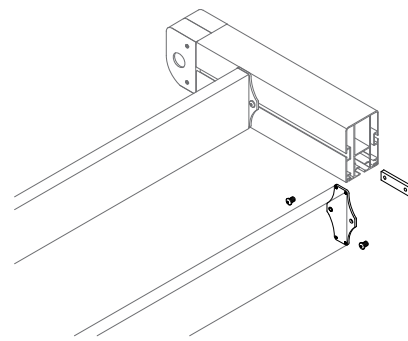
F3 slider easy clip installation

The F3 system has been designed for ease of use, to save time on installations and reduce the number of staff required. Each F3 slider can take loads of upto 600KG once in place.



F3 slider and fabric profile assembly

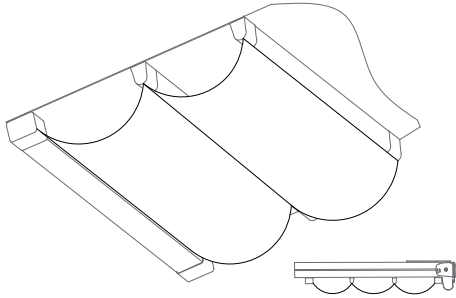
The system has been designed for ease of assembly to save time on installations and reduce the number of staff required.



Motorbox support & hood support profile easy installation

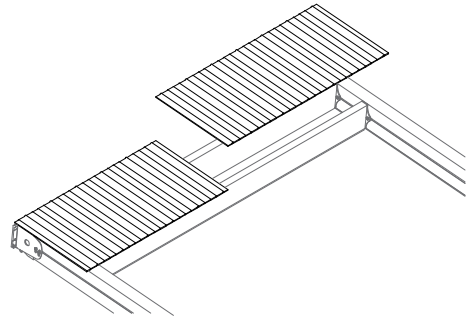
Each support profile is easy to install and simple to adjust at the time of installation.

Tw66



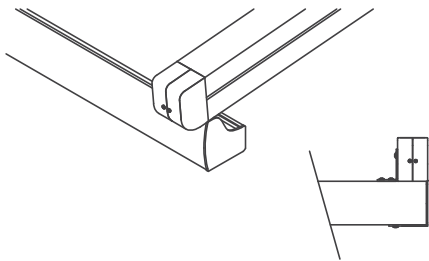
Decorative fabric under layer

The second decorative fabric under layer of fabric can provide an elegant touch of class.



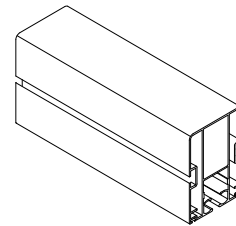
Hood profile sheets

Suntech's hood profile sheets provide an attractive covering solution for the system when not in use. The low profile aesthetic design offer added protection to the system with a chic touch.



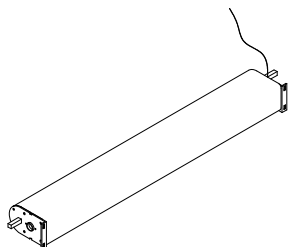
Gutter flush with rafter

Gutter solution for when the system is installed next to a wall or no overhang of the gutter is required.



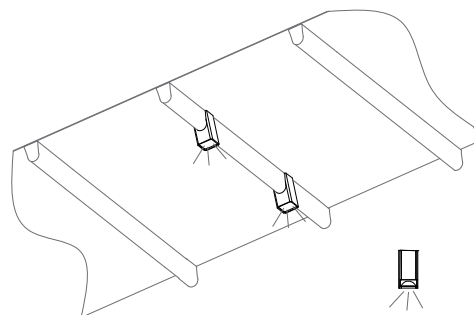
Rafter profile with water guard side channels

The Suntech rafter profiles are designed with water guard side channels for easy installation and to prevent water from entering.



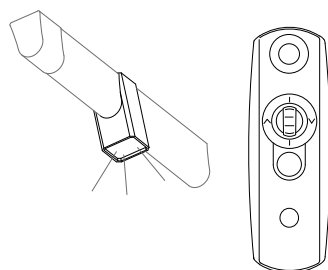
Compact 26rpm direct drive motor box

The Suntech direct drive motor system is a quick and efficient system that drives all conveyer rafters at the same time. The low profile design also allows the fabric to be stored underneath the motor which saves additional space.



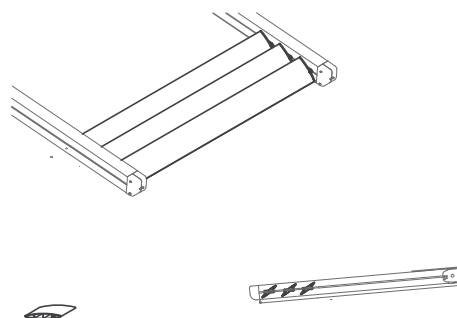
LED-TEC high powered lighting

LED-TEC lighting is an integrated lighting solution that can be added to any Suntech system.



LED-TEC dimmer setup

LED-TEC dimmer lighting is an integrated lighting solution that can be added to any Suntech system.



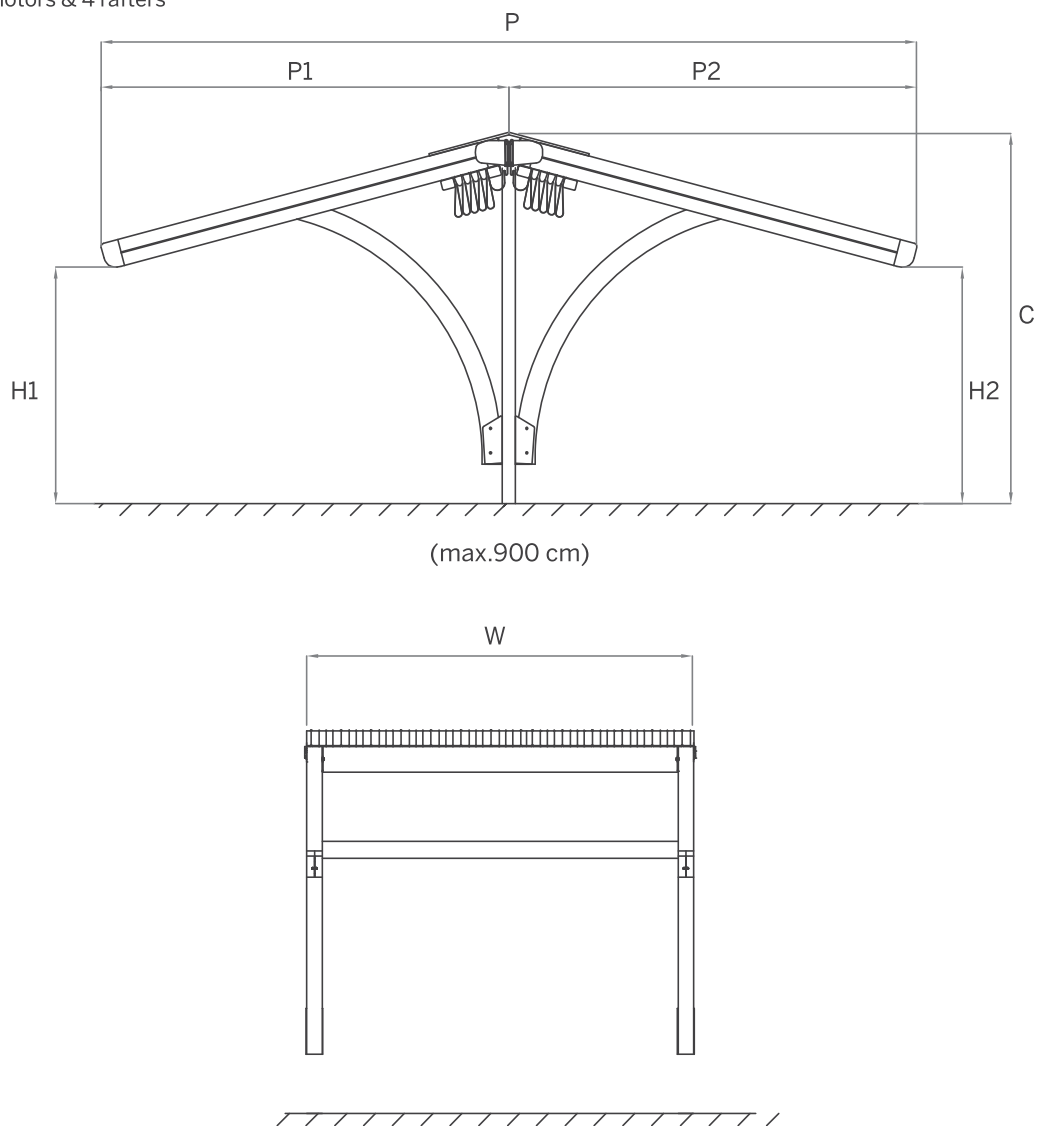
Aerofoil Louvres

The addition of Aerofoil louvres can provide added shade when the system is closed.

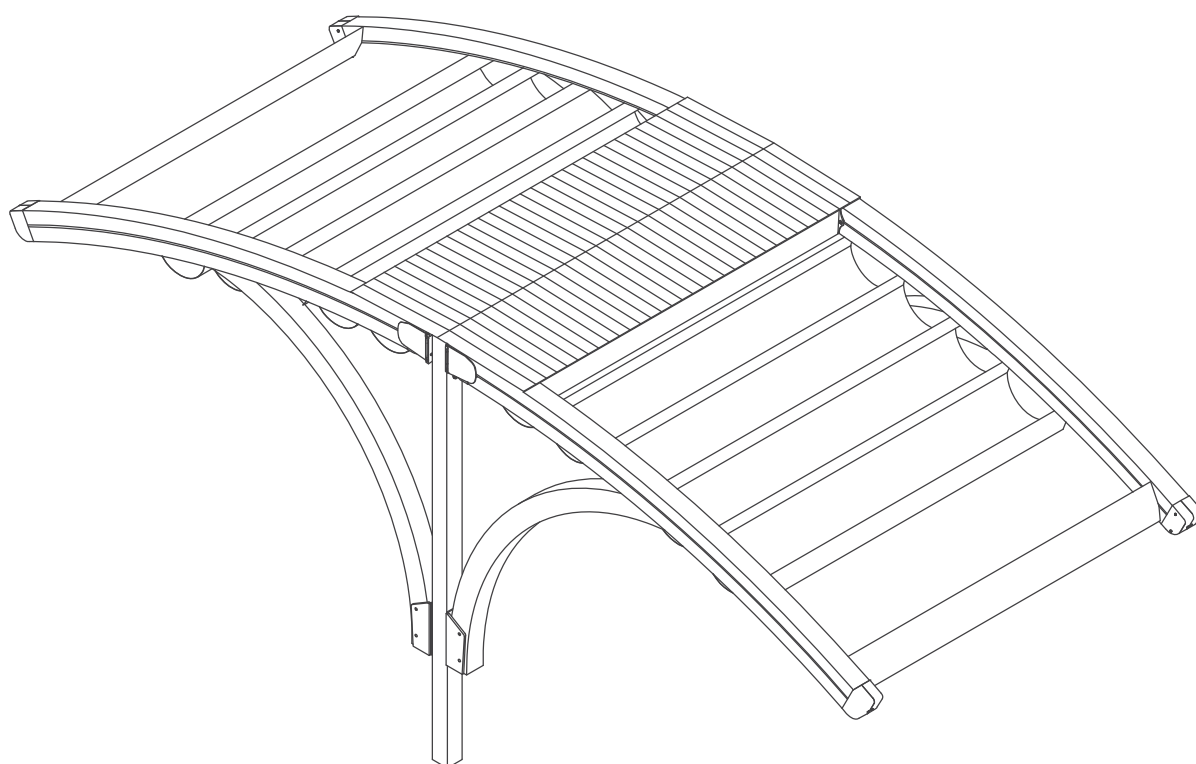
One Module

200 cm > 450 cm

One Module with 2 motors & 4 rafters



Tw88



Tw88 double sided curved arch buttress system

The TW88 double sided curved arch buttressed retractable pergola systems provide an elegant solution for any project. Each of the custom designs are installed according to site specifications and can easily be adapted as required. This model provides an outdoor covering system with an architectural edge to allow outdoor areas to be used in all weather conditions. The system offers a wind rating up to Beaufort class 11 (up to 117km/h) and are designed to stand up to even the worst of conditions rain, hail or shine.

The site specific models are manufactured to size using high grade 6063 extruded aluminium profiles finished with thermosetting powder coating which provides superior overall performance for exterior product applications. All bolts, screws and pins are high grade stainless steel to ensure extended system life.

The TW88 rafter profiles (LT: 80mm x 125mm / XL: 110mm x 160mm) have been designed with unique water guard side channels and cast aluminium end plates to allow for projections up to 9m per system. Widths are customised according to site requirements and available in any size up to 4,5m. The TW88 system offers up to 40,5sqm of protection at the touch of a button but when required linking multiple systems is also possible and made easy by our patented storm channel joining system that ensures 100% waterproof join every time. The TW88 system also includes an integrated gutter system with internal drainage to carry away even the heaviest rain.

Remote controlled motorisation is provided by utilising European technology through a custom built direct drive motor system to ensure smooth and quick operation at 26RPM. The optional hi powered LED-TEC lighting system provides a practical touch of class and when coupled with a remote dimming controller allows the user to change the mood to suit the surrounding environment.

The heart of the system is driven by the Suntech F3 eight wheel slider carriages (each F3 slider carriage has a load limit of 600kgs) that incorporates a triple layer barrier system and works in conjunction with a timing belt that has been reinforced with multiple internal stainless steel cables to provide a pulling strength of over 966kg. It's this tension that is applied to the fabric membrane to allow an angle of 6 degrees fall possible and ensure all water drains away in the internal gutter system.

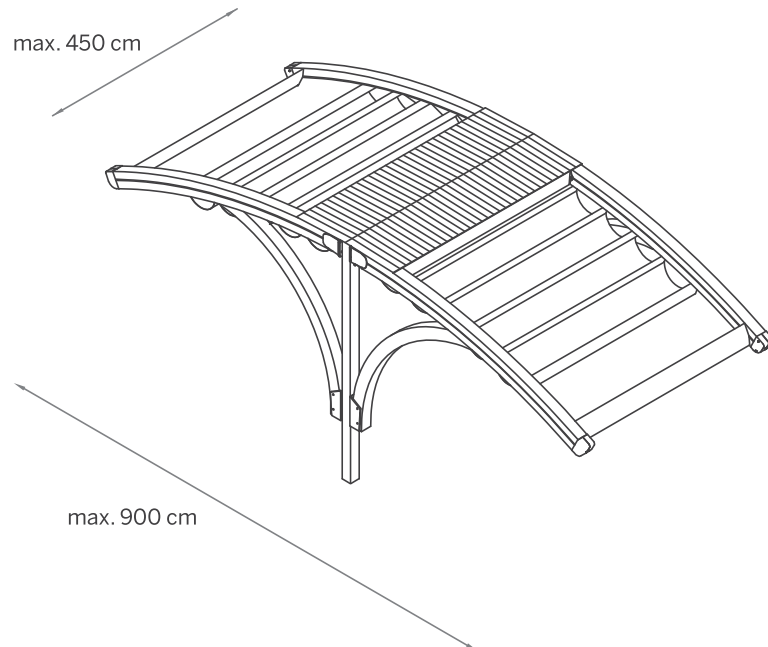
The fire rated and 100% waterproof architectural membrane is available in a range of colours in both opaque and transparent that provides maximum stability and resistance to temperature, moisture and dirt. It does not shrink or bag, and the acrylic top coating makes it very easy to clean for years to come. When not in use the fabric is neatly retracted under the systems hood to provide protection from the elements when not required.

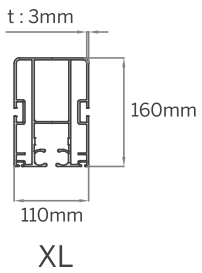
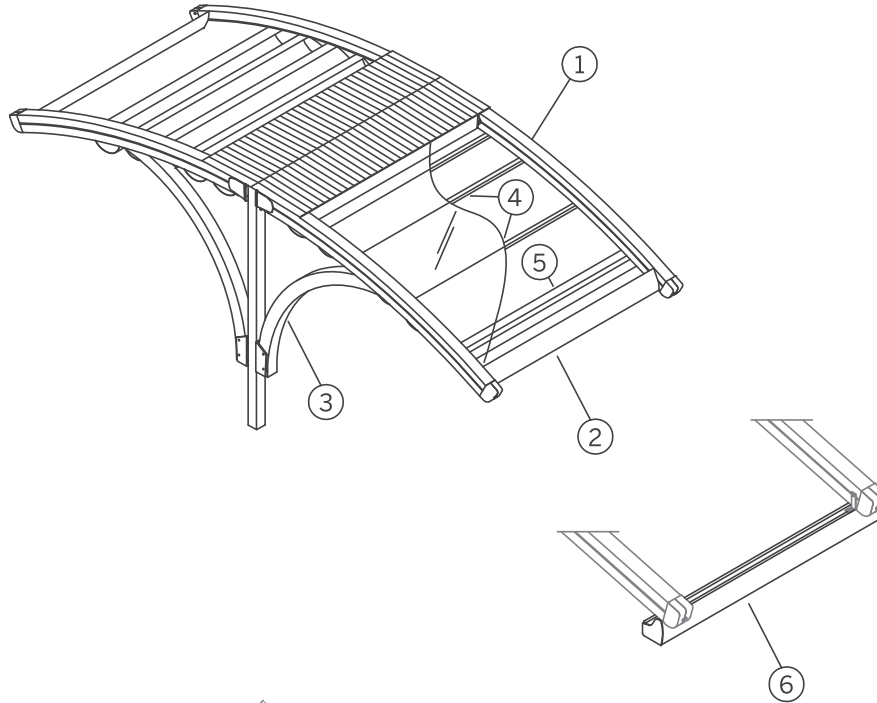
To ensure the highest level of protection Suntech systems focus on all the details, this is why all Suntech systems come standard finished with Stormguard soft touch edge seal on all parameters. Stormguard provides the ultimate protection against rain and draught intrusion around the outside of the system and is only available on our systems. Stormguards soft touch edge seal is produced from an extra soft & flexible Natural rubber to ensure the best possible protection from the elements.

Tw88

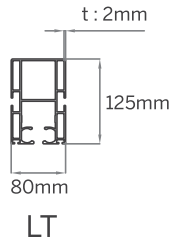
One Module

200 cm > 450 cm
One Module with 2 motor & 4 rafters

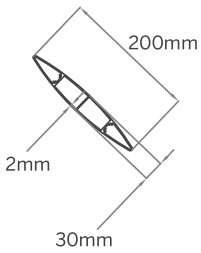




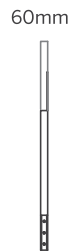
① Rafter



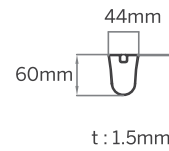
② Aerofoil Louvre



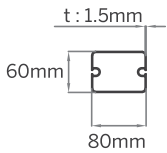
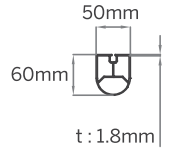
③ Buttress



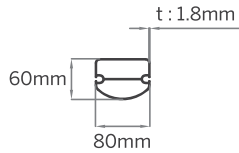
④ Fabric Support (Standart)



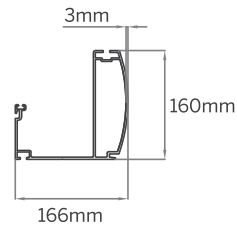
④ Fabric Support (HDD Lux)



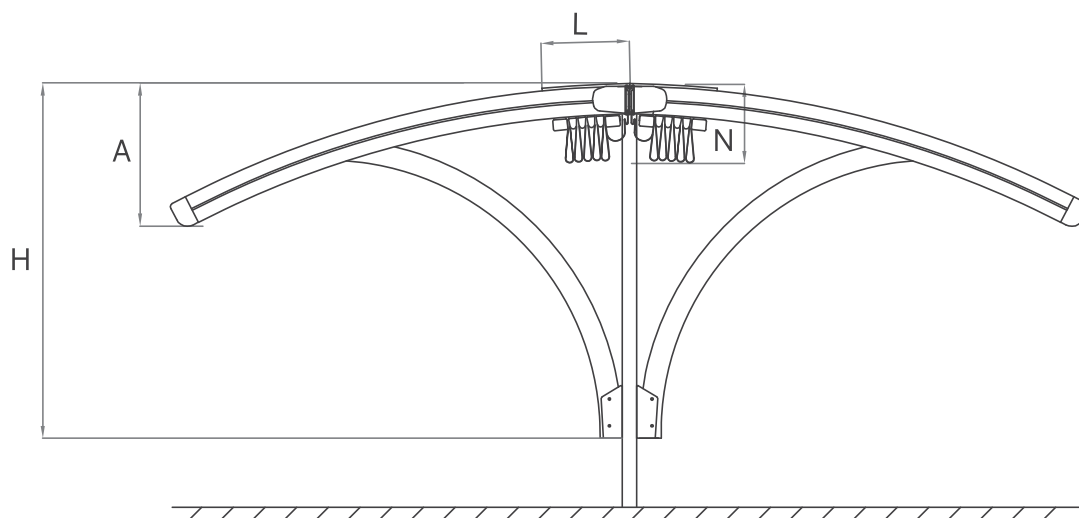
⑤ Puller Profile (Standart)



⑤ Puller Profile (HDD Lux)



⑥ Gutter



TW 88 LT

	Fabric Height	Hood	Fall	Buttress Distance	Fab.Sup.Profiles	
	(N*) mm	(L*) mm	(A*,**) mm	(H*) mm	pc*	
Projection (P) cm	600	387	727	677	1850	16
	700	389	772	828	2000	18
	800	393	830	872	2200	20
	900	396	876	1054	2300	22

* Values can vary by different radius values.

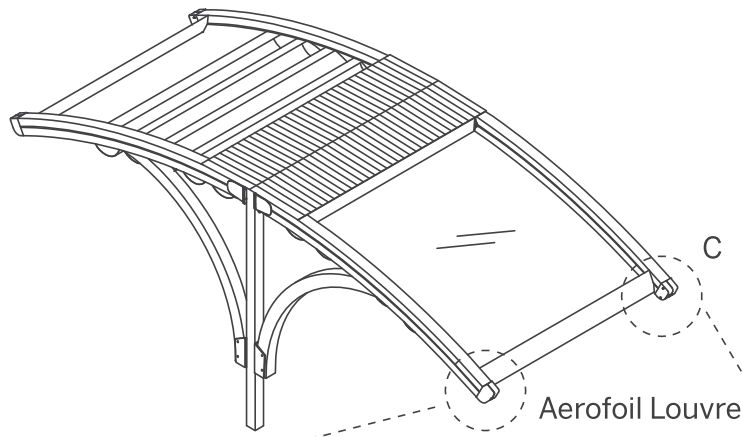
** +160 mm distance with optional front gutter system.

TW 88 XL

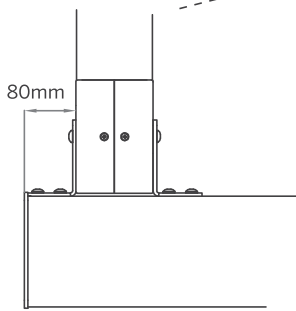
	Fabric Height	Hood	Fall	Buttress Distance	Fab.Sup.Profiles	
	(N*) mm	(L*) mm	(A*,**) mm	(H*) mm	pc*	
Projection (P) cm	600	412	707	706	1850	16
	700	415	745	858	2000	18
	800	418	801	952	2200	20
	900	421	857	1083	2300	22

* Values can vary by different radius values.

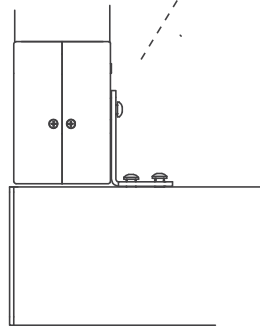
** +160 mm distance with optional front gutter system.



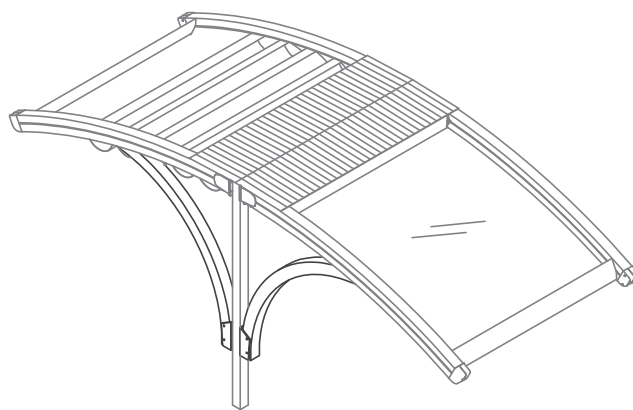
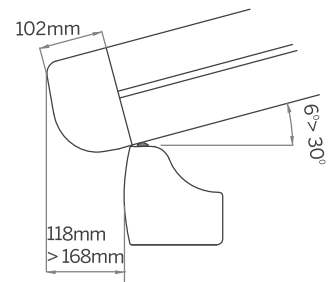
Aerofoil Louvre



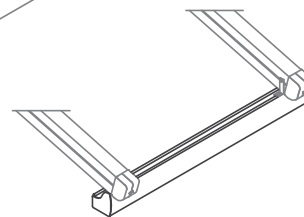
Type - A



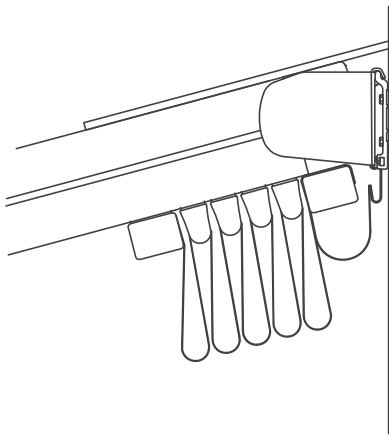
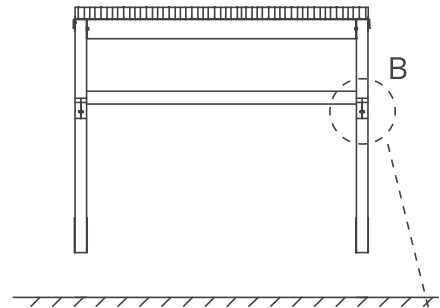
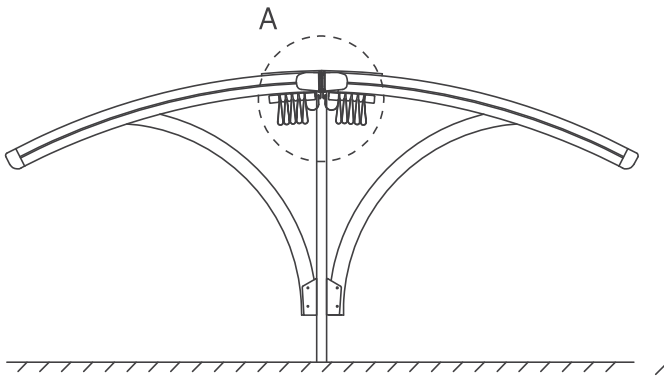
Type - B



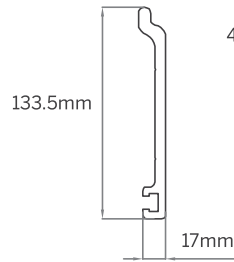
Inox Buttress



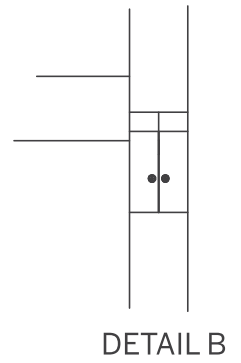
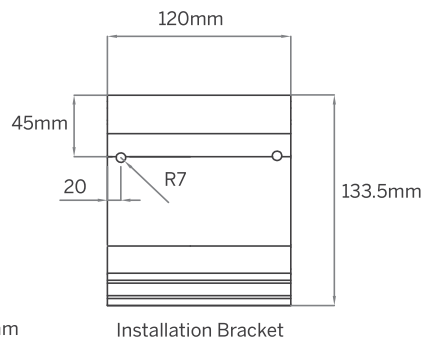
Gutter Profile



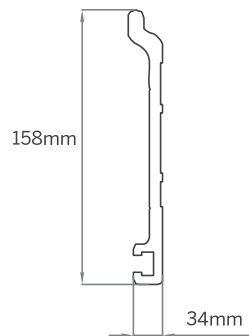
DETAIL A



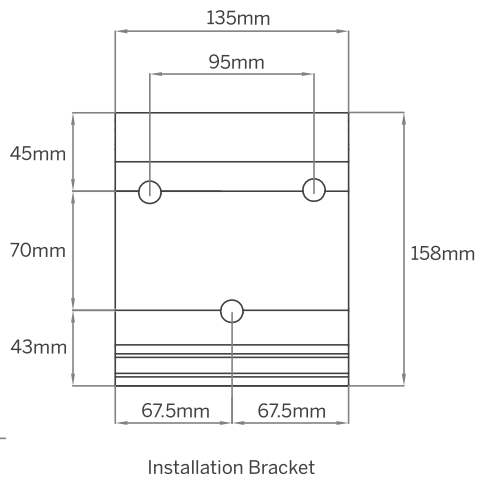
LT

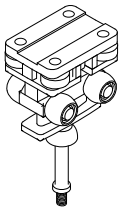


DETAIL B



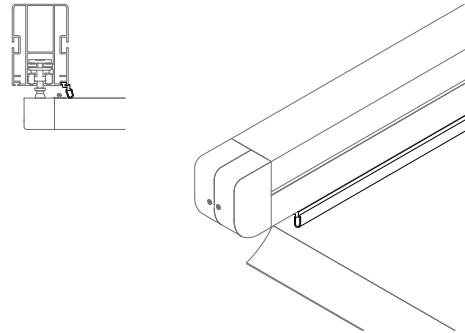
XL





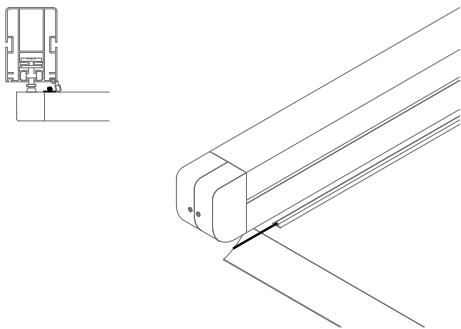
F3 Eight wheel slider

Four horizontal & four vertical rollers working together for perfectly smooth operation every time. The F3 eight wheel system is proven to remove the jamming issue that occurs with the 4 wheel system and can take loads of upto 600KG.



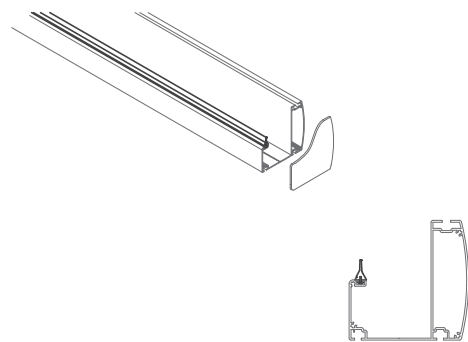
Rafter stormguard edge seal

The rafter Stormguard edge seal stops water from dripping over the side of the system by providing a soft cushioning barrier along the side of the system.



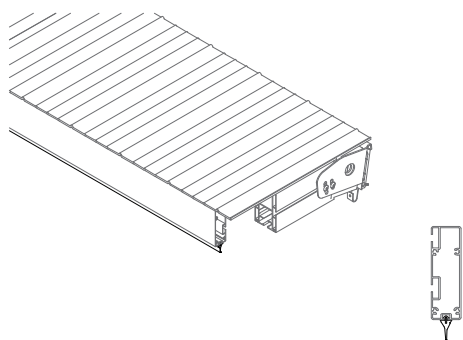
Fabric anti-drop edge cord with electrical cable

The fabric anti-drip edge cord with integrated lighting electrical cable works in conjunction with the Stormguard edge seal to prevent any water leaks over the side of the system.



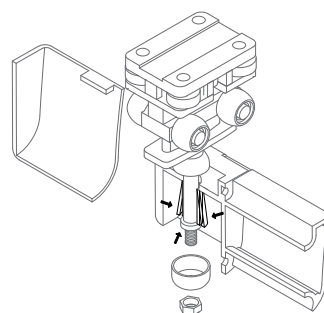
Gutter stormguard seal

The Stormguard gutter seal provides a perfect seal to prevent water leaks along the front of the system from driving rain or splashing from the gutter.



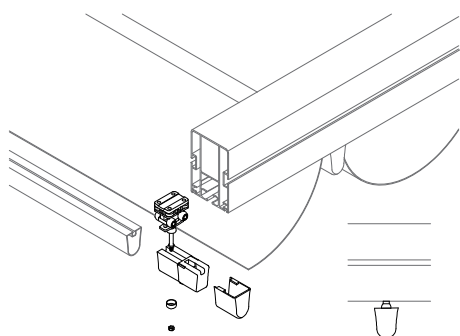
Hood stormguard seal

The Stormguard hood seal provides the perfect seal to prevent driving rain&wind coming in under the hood profiles.



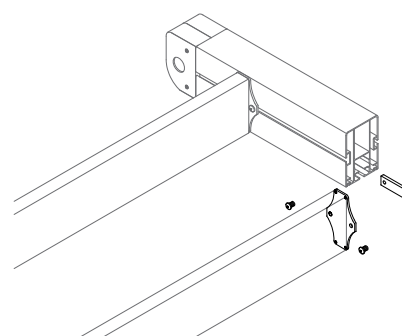
F3 slider easy clip installation

The F3 system has been designed for ease of use, to save time on installations and reduce the number of staff required. Each F3 slider can take loads of upto 600KG once in place.



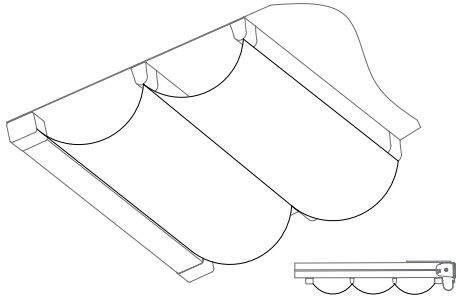
F3 slider and fabric profile assembly

The system has been designed for ease of assembly to save time on installations and reduce the number of staff required.



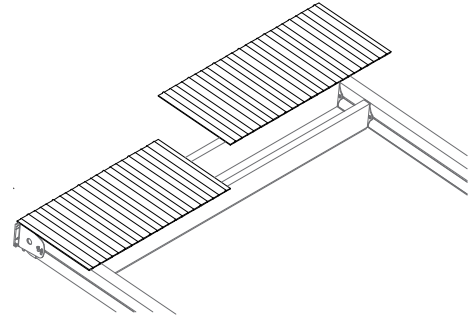
Motorbox support & hood support profile easy installation

Each support profile is easy to install and simple to adjust at the time of installation.



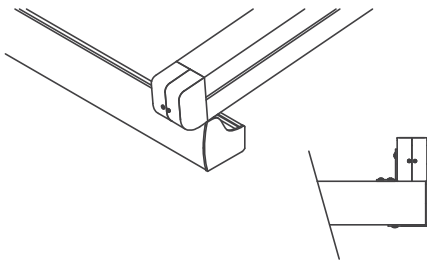
Decorative fabric under layer

The second decorative fabric under layer of fabric can provide an elegant touch of class.



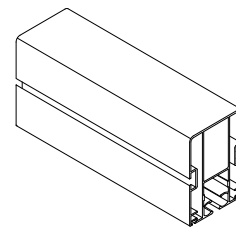
Hood profile sheets

Suntech's hood profile sheets provide an attractive covering solution for the system when not in use. The low profile aesthetic design offer added protection to the system with a chic touch.



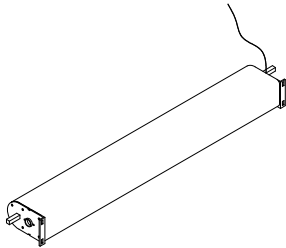
Gutter flush with rafter

Gutter solution for when the system is installed next to a wall or no overhang of the gutter is required.



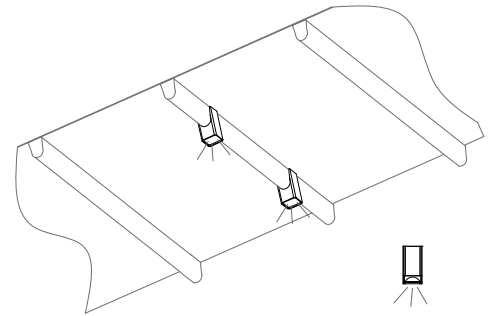
Rafter profile with water guard side channels

The Suntech rafter profiles are designed with water guard side channels for easy installation and to prevent water from entering.



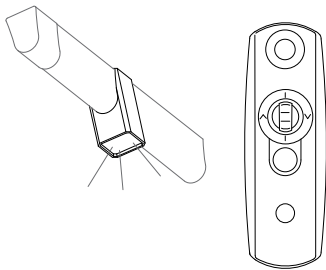
Compact 26rpm direct drive motor box

The Suntech direct drive motor system is a quick and efficient system that drives all conveyer rafters at the same time. The low profile design also allows the fabric to be stored underneath the motor which saves additional space.



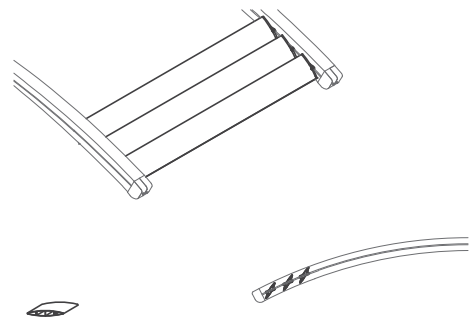
LED-TEC high powered lighting

LED-TEC lighting is an integrated lighting solution that can be added to any Suntech system.



LED-TEC dimmer setup

LED-TEC dimmer lighting is an integrated lighting solution that can be added to any Suntech system.



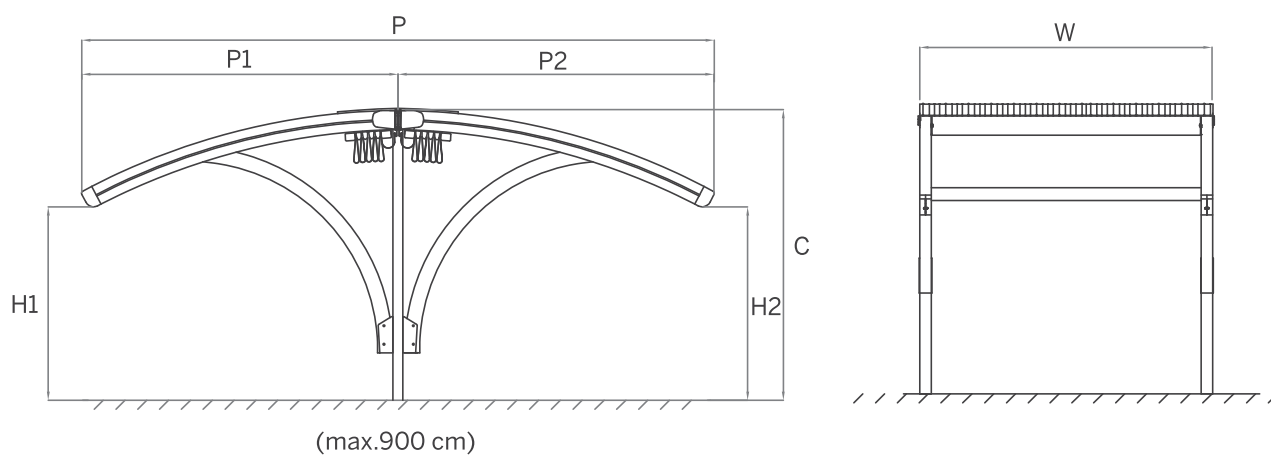
Aerofoil Louvres

The addition of Aerofoil louvres can provide added shade when the system is closed.

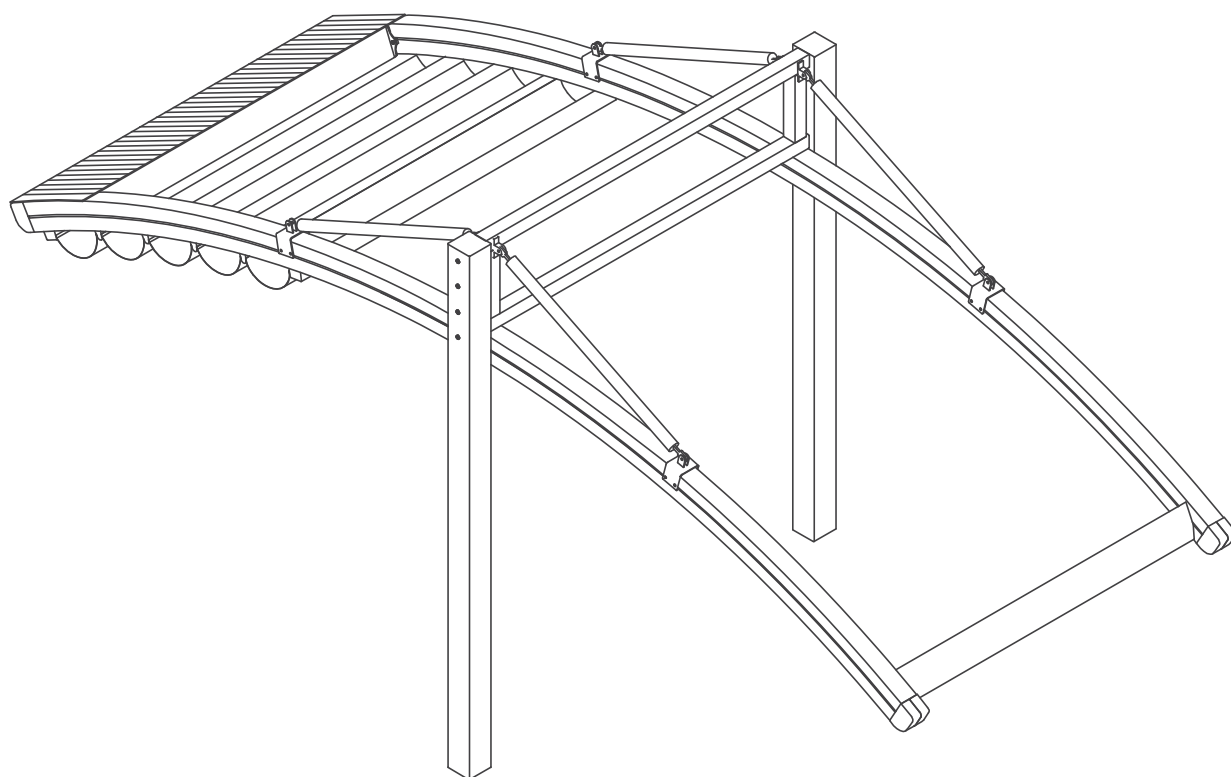
One Module

200 cm > 450 cm

One Module with 2 motors & 4 rafters



Tw99



Tw99 double sided full curved system

The TW99 double sided full curved retractable pergola systems provide an elegant solution for any project. Each of the custom designs are installed according to site specifications and can easily be adapted as required. This model provides an outdoor covering system with an architectural edge to allow outdoor areas to be used in all weather conditions. The system offers a wind rating up to Beaufort class 11 (up to 117km/h) and are designed to stand up to even the worst of conditions rain, hail or shine.

The site specific models are manufactured to size using high grade 6063 extruded aluminium profiles finished with thermosetting powder coating which provides superior overall performance for exterior product applications. All bolts, screws and pins are high grade stainless steel to ensure extended system life.

The TW99 rafter profiles (LT: 80mm x 125mm / XL: 110mm x 160mm) have been designed with unique water guard side channels and cast aluminium end plates to allow for projections up to LT: 7m / XL: 8m per system. Widths are customised according to site requirements and available in any size up to 9m. The TW99 system offers up to LT: 63sqm / XL: 72sqm of protection at the touch of a button but when required linking multiple systems is also possible and made easy by our patented storm channel joining system that ensures 100% waterproof join every time. The TW99 system also includes an integrated gutter system with internal drainage to carry away even the heaviest rain.

Remote controlled motorisation is provided by utilising European technology through a custom built direct drive motor system to ensure smooth and quick operation at 26RPM. The optional hi powered LED-TEC lighting system provides a practical touch of class and when coupled with a remote dimming controller allows the user to change the mood to suit the surrounding environment.

The heart of the system is driven by the Suntech F3 eight wheel slider carriages (each F3 slider carriage has a load limit of 600kgs) that incorporates a triple layer barrier system and works in conjunction with a timing belt that has been reinforced with multiple internal stainless steel cables to provide a pulling strength of over 966kg. It's this tension that is applied to the fabric membrane to allow an angle of 6 degrees fall possible and ensure all water drains away in the internal gutter system.

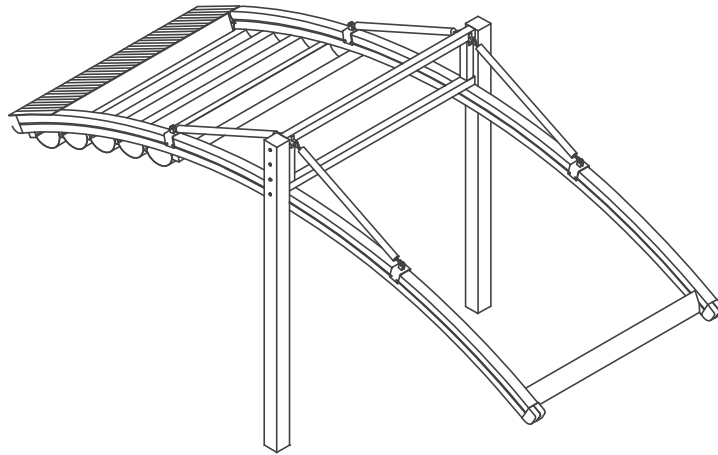
The fire rated and 100% waterproof architectural membrane is available in a range of colours in both opaque and transparent that provides maximum stability and resistance to temperature, moisture and dirt. It does not shrink or bag, and the acrylic top coating makes it very easy to clean for years to come. When not in use the fabric is neatly retracted under the systems hood to provide protection from the elements when not required.

To ensure the highest level of protection Suntech systems focus on all the details, this is why all Suntech systems come standard finished with Stormguard soft touch edge seal on all parameters. Stormguard provides the ultimate protection against rain and draught intrusion around the outside of the system and is only available on our systems. Stormguards soft touch edge seal is produced from an extra soft & flexible Natural rubber to ensure the best possible protection from the elements.

Tw99

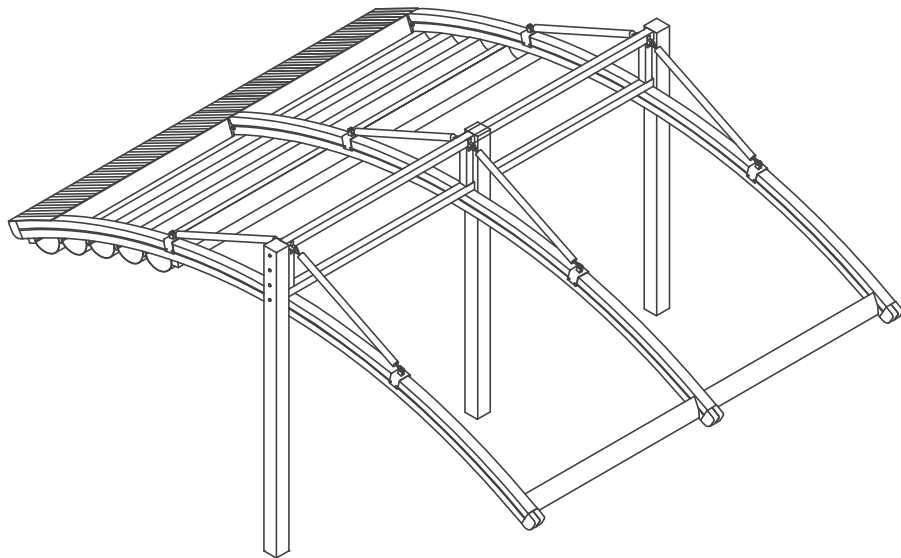
One Module

200 cm > 400 cm
One Module with 1 motor & 2 rafters



Two Modules

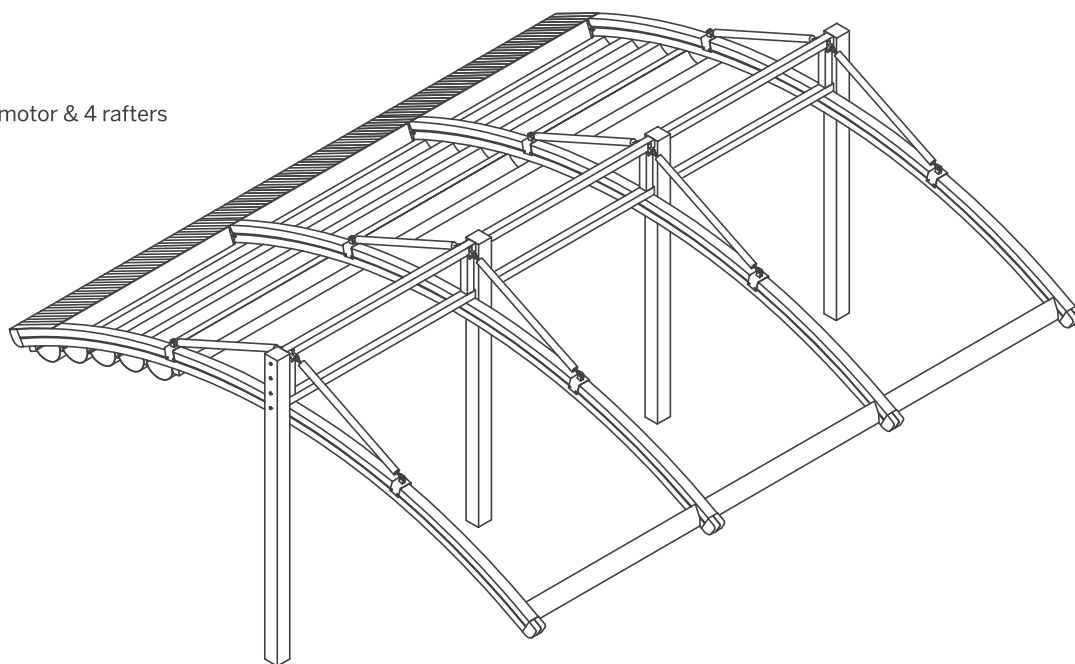
400 cm > 800 cm
One Module with 1 motor & 3 rafters

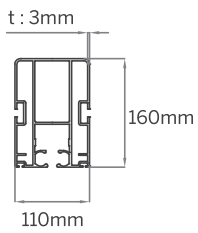
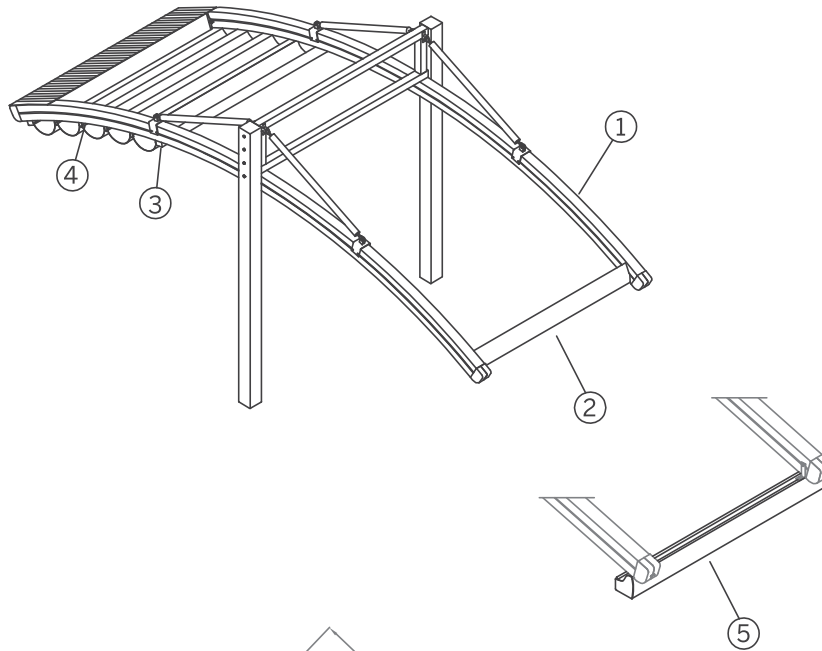


Three Modules

800 cm > 900 cm

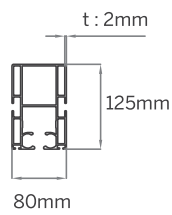
One Module with 2 motor & 4 rafters





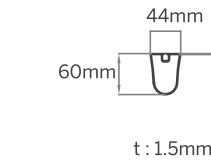
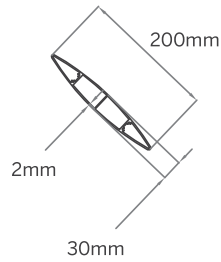
XL

① Rafter

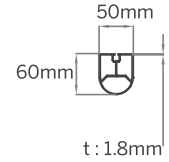


LT

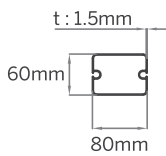
② Aerofoil Louvre



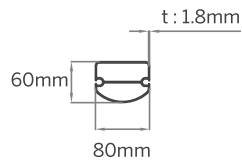
③ Fabric Support (Standart)



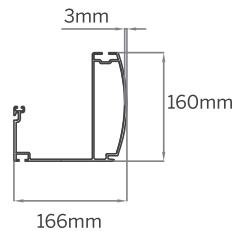
③ Fabric Support (HDD Lux)



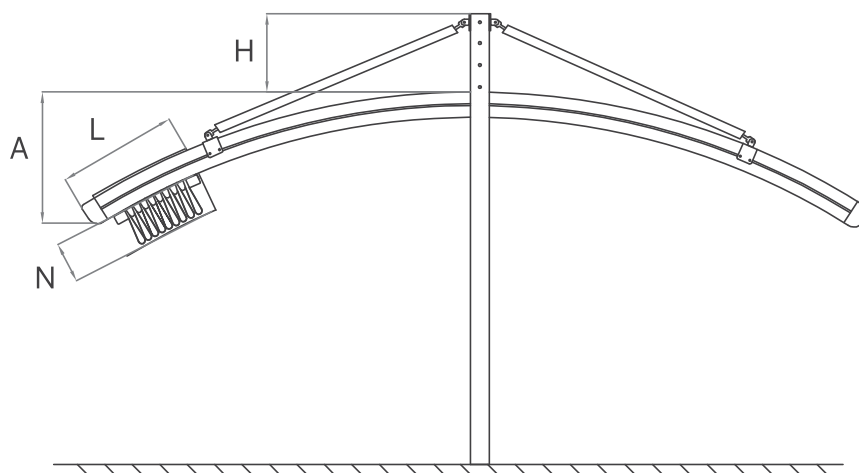
④ Puller Profile (Standart)



④ Puller Profile (HDD Lux)



⑤ Gutter



TW 99 LT

Projection (P) cm	Fabric Height	Hood	Fall	Hang Distance	Fab.Sup.Profiles
	(N*) mm	(L*) mm	(A*, **) mm	(H*) mm	pc*
300	370	731	428	370	9
400	370	830	619	410	11
500	370	953	683	585	13
600	370	1178	687	748	17
700	370	1281	802	987	19

* Values can vary by different radius values.

** +160 mm distance with optional front gutter system.

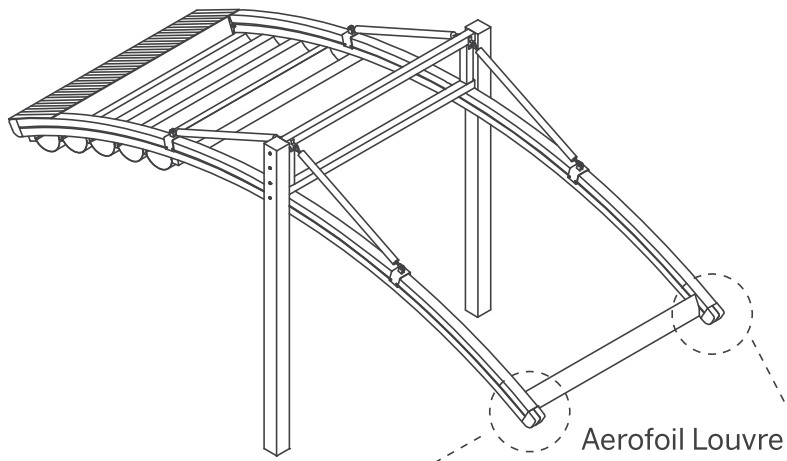
TW 99 XL

Projection (P) cm	Fabric Height	Hood	Fall	Hang Distance	Fab.Sup.Profiles
	(N*) mm	(L*) mm	(A*, **) mm	(H*) mm	pc*
300	370	755	463	370	9
400	370	848	654	410	11
500	370	950	718	585	13
600	370	1178	722	748	17
700	370	1288	837	987	19
800	370	1390	926	1185	21

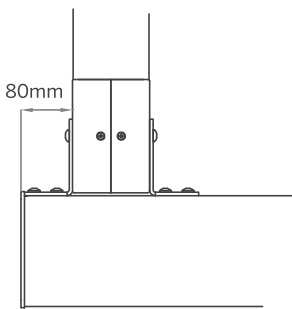
* Values can vary by different radius values.

** +160 mm distance with optional front gutter system.

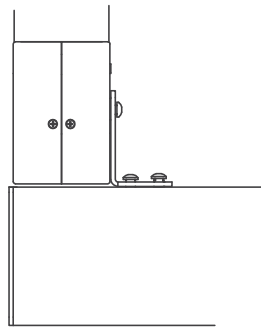
Tw99



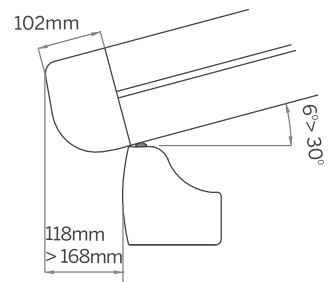
Aerofoil Louvre

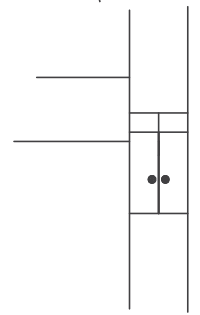
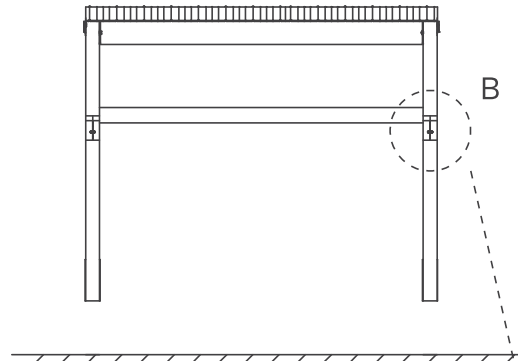
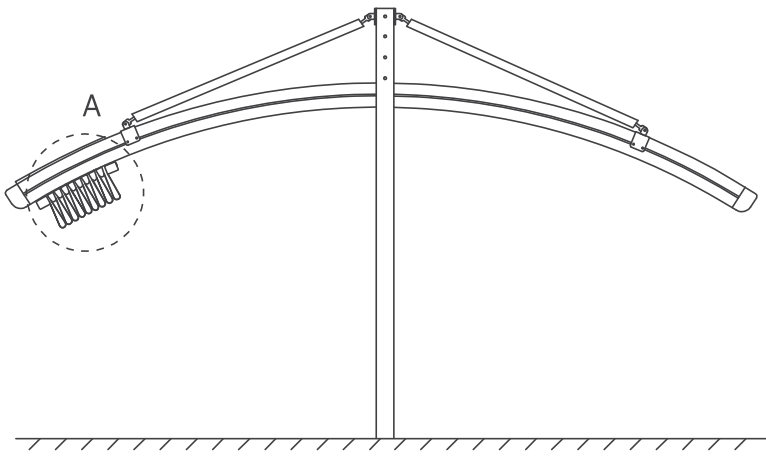


Type - A

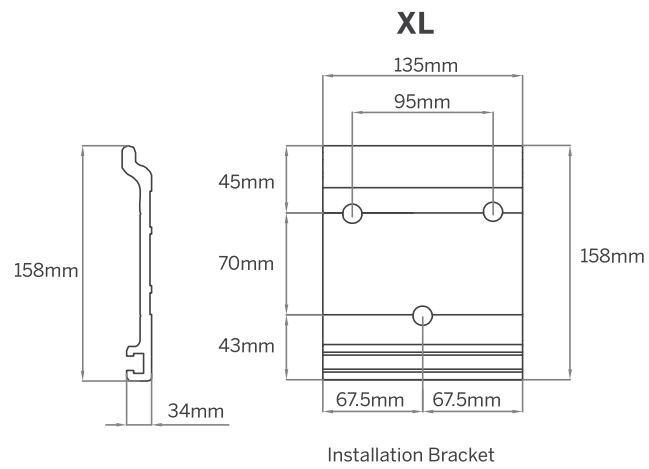
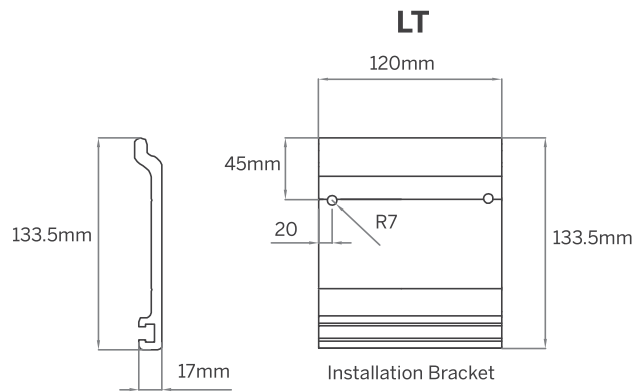
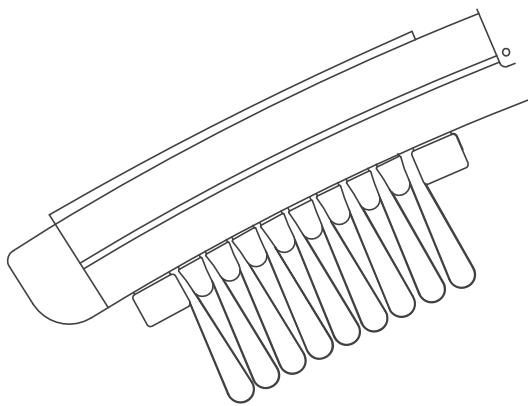


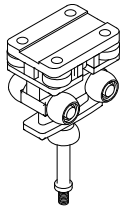
Type - B





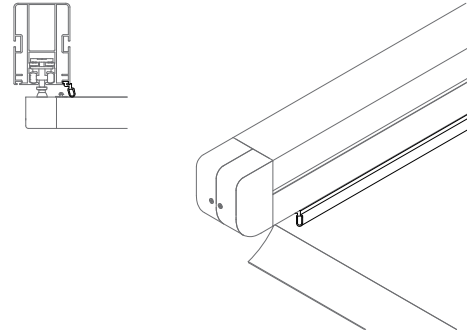
DETAIL B





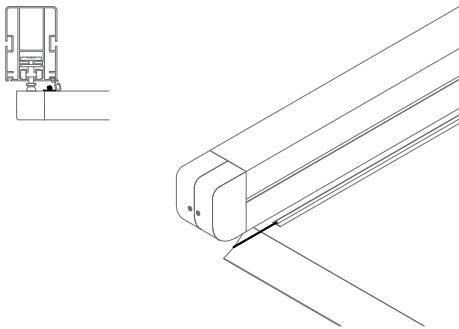
F3 Eight wheel slider

Four horizontal & four vertical rollers working together for perfectly smooth operation every time. The F3 eight wheel system is proven to remove the jamming issue that occurs with the 4 wheel system and can take loads of upto 600KG.



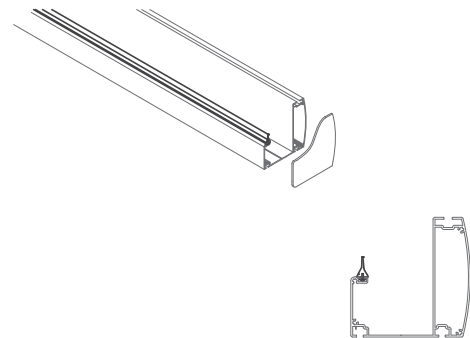
Rafter stormguard edge seal

The rafter Stormguard edge seal stops water from dripping over the side of the system by providing a soft cushioning barrier along the side of the system.



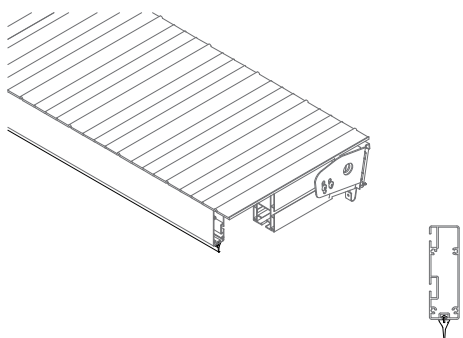
Fabric anti-drop edge cord with electrical cable

The fabric anti-drip edge cord with integrated lighting electrical cable works in conjunction with the Stormguard edge seal to prevent any water leaks over the side of the system.



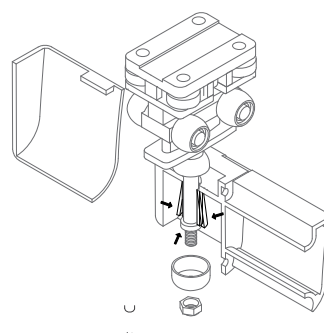
Gutter stormguard seal

The Stormguard gutter seal provides a perfect seal to prevent water leaks along the front of the system from driving rain or splashing from the gutter.



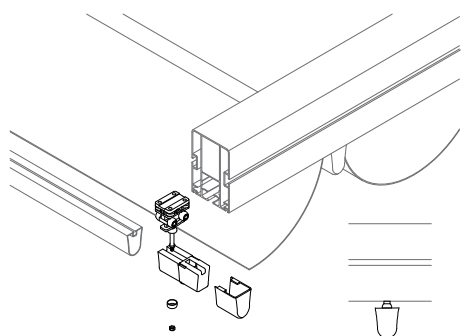
F3 slider easy clip installation

The F3 system has been designed for ease of use, to save time on installations and reduce the number of staff required. Each F3 slider can take loads of upto 600KG once in place.



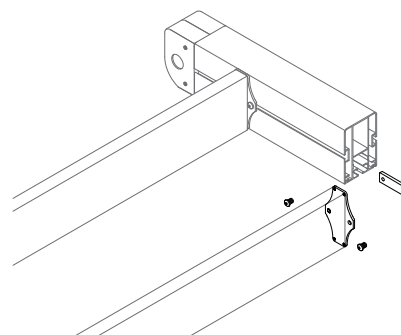
F3 slider and fabric profile assembly

The system has been designed for ease of assembly to save time on installations and reduce the number of staff required.



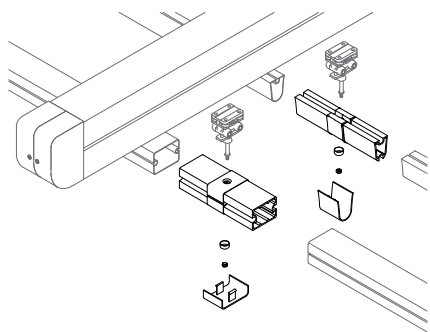
Motorbox support & hood support profile easy installation

Each support profile is easy to install and simple to adjust at the time of installation.



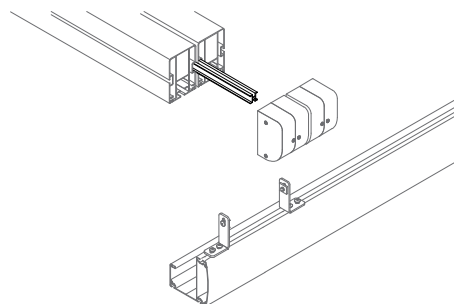
Easy clip intermediate joints (for 2 & 3 module systems)

The Easy clip intermediate joints have been designed for ease of site assembly to save time and reduce the number of staff required.



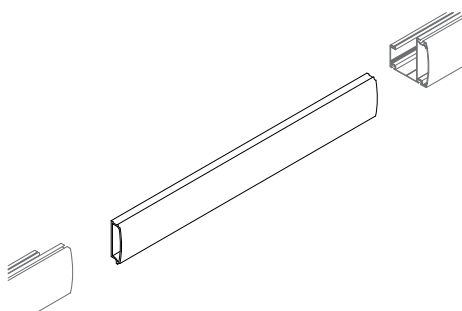
Decorative fabric under layer

The second decorative fabric under layer of fabric can provide an elegant touch of class.



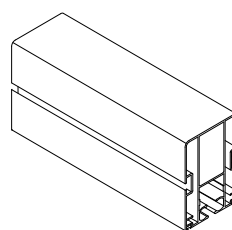
Hood profile sheets

Suntech's hood profile sheets provide an attractive covering solution for the system when not in use. The low profile aesthetic design offer added protection to the system with a chic touch.



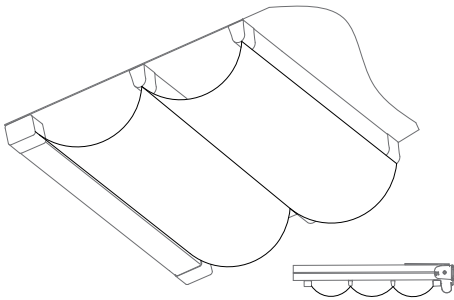
Gutter flush with rafter

Gutter solution for when the system is installed next to a wall or no overhang of the gutter is required.



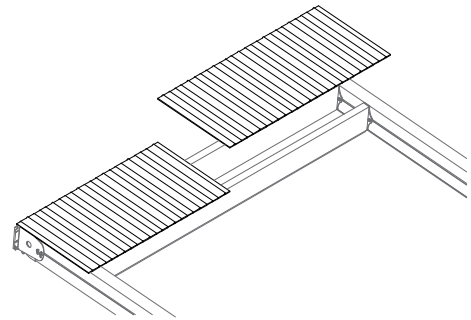
Rafter profile with water guard side channels

The Suntech rafter profiles are designed with water guard side channels for easy installation and to prevent water from entering.



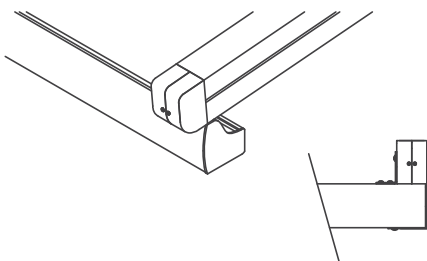
Compact 26rpm direct drive motor box

The Suntech direct drive motor system is a quick and efficient system that drives all conveyer rafters at the same time. The low profile design also allows the fabric to be stored underneath the motor which saves additional space.



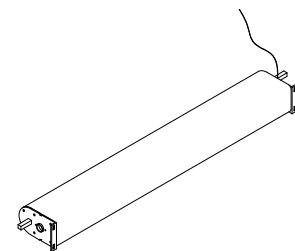
LED-TEC high powered lighting

LED-TEC lighting is a integrated lighting solution that can be added to any Suntech system.



LED-TEC dimmer setup

LED-TEC dimmer lighting is a integrated lighting solution that can be added to any Suntech system.



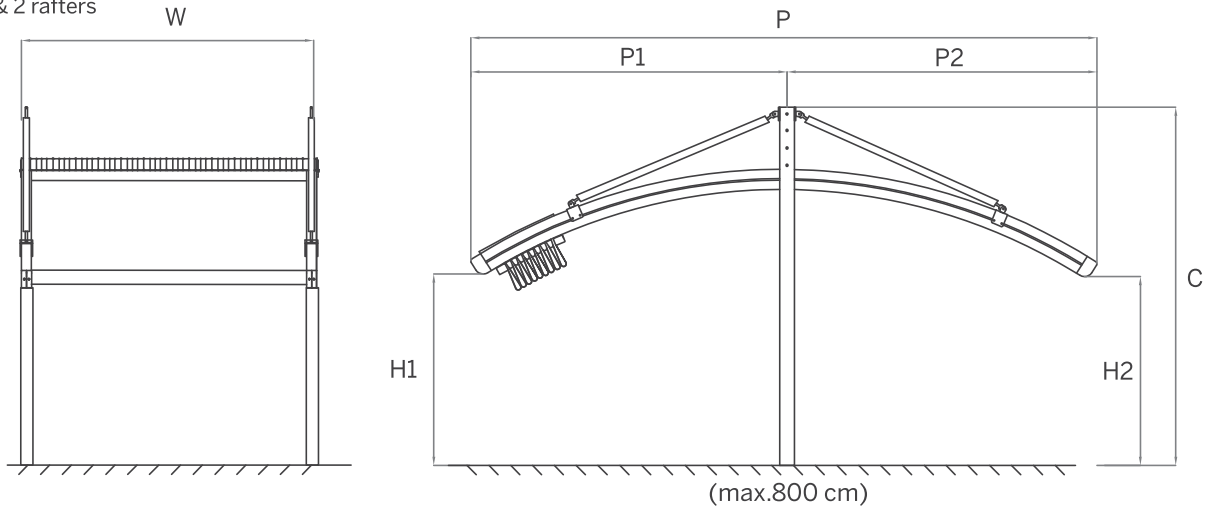
Aerofoil Louvres

The addition of Aerofoil louvres can provide added shade when the system is closed.

One Module

200 cm > 400 cm

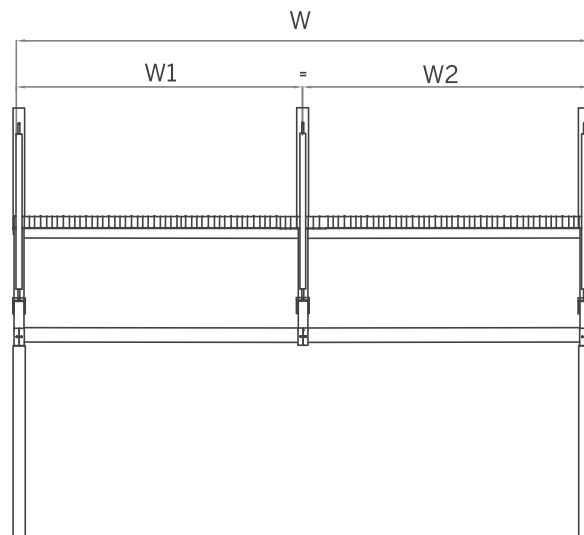
One Module with 1 motor & 2 rafters



Two Modules

400 cm > 800 cm

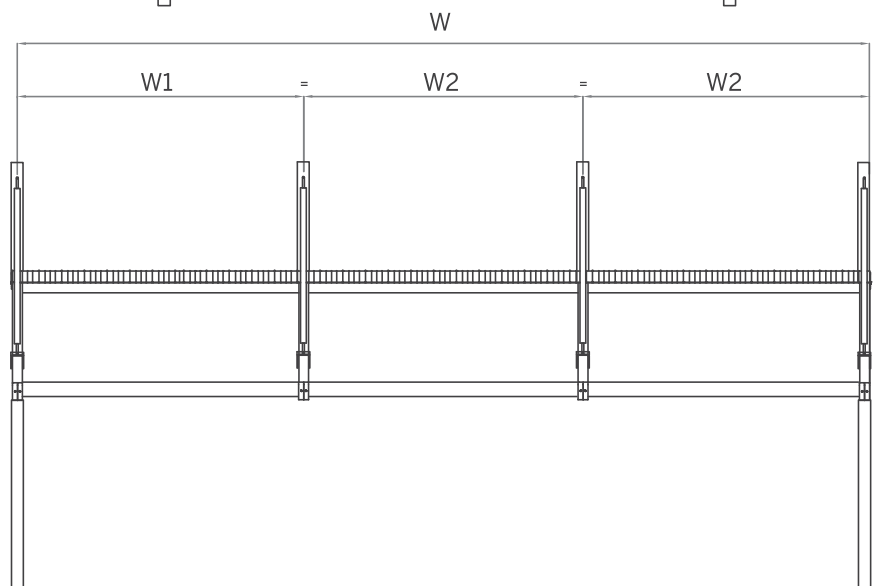
One Module with 2 motors & 3 rafters



Three Modules

800 cm > 900 cm

One Module with 2 motors & 4 rafters



Overview

advantages of the suntech system

Stainless steel components – Long life parts suitable for all conditions.

High strength toothed operating belt with multiple reinforcing stainless steel wire strands embedded inside of belt – Less stretch and slippage from belt, rated to over 966kg.

Oversize pulling profile – Higher strength in pulling profile reduces flex and provides a taught fabric.

Eight wheel drive slider carriages – Ensures smooth operation of system in all directions and removes chance of drive system jamming when in operation.

Integrated gutter & internal drainage system– Removes water from covered area.

Ant-drip edge system – Prevents water drips from coming inside of roof area.

Storm channel for joining tracks – Provides an invisible solution when joining systems to prevent water leaking between the rafters.

Compact 26rpm motor box – Insures direct drive from motor to belts and a quick operating time when rain hits.

Low profile integrated hood profile – Attractive covering for system when not in use to extend the life of the system.

Integrated lighting option – Provides a lighting solution for large areas without the need for additional wiring.

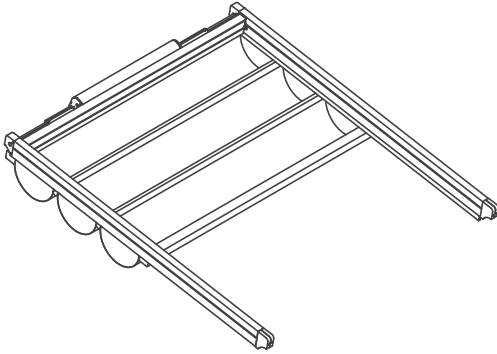
Quick attachment system for profiles with securing nuts – Reduces installation time and provides a load limit of 600kg per attachment point.

key points of the suntech system

- 18 models and endless amount of custom models, custom made according to site requirements (Pure, Eva, Novo, Smooth, Flat, Radian, Luna, Mn1, Mn2, Mn3, Mn4, Tw22, Tw33, Tw44, Tw55, Tw66, Tw88, Tw99)
- Can be integrated into custom/exiting steel/wood frame (Pure system)
- Projections up to 11mt without support (Radian)
- Width up to 13mt in single fabric
- Integrated lighting solution (optional)
- Direct drive motor system for quick extension / retraction
- Remote control operation for system and lighting
- German fire rated, 100% waterproof PVC fabric in a range of colours.
- Standard brown framework and extensive range of Ral powder coat colours available
- Ability to join multiple systems together with weatherproof joining (coupling storm channel)
- Waterproof seal around entire system when is use
- Option to add side walls/panels/doors
- Ability to install on angle as little as 6 degrees (or 3 degrees side fall)
- Manufactured in Europe to CE and TUV standards
- Wind rated up to 117km/h
- Perfect all weather solution for rain, hail or shine in domestic, hospitality or commercial applications
- High grade aluminium extrusions (GRADE 6063)
- High grade stainless steel fixings

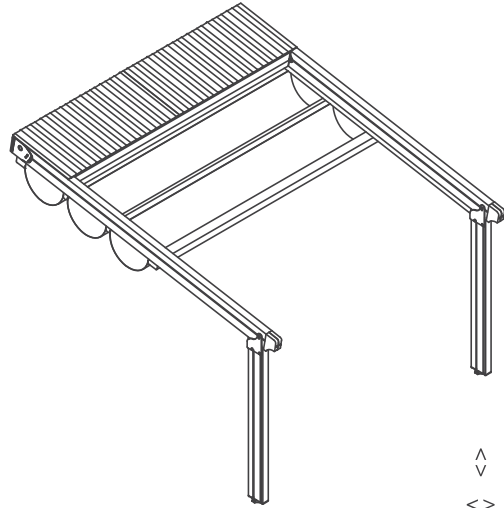
Overview

Pure



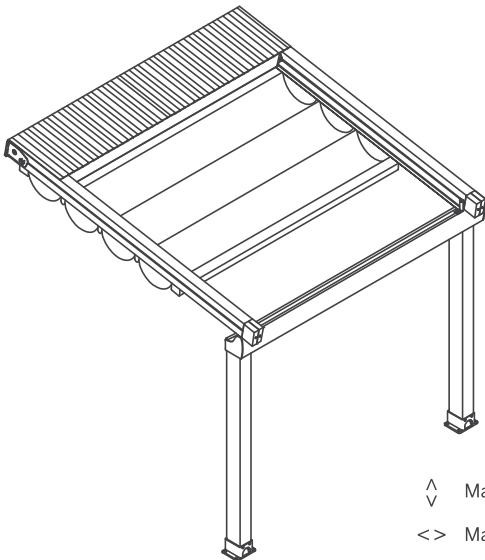
^ Max. 10mt
v
<> Max. 13mt

Eva



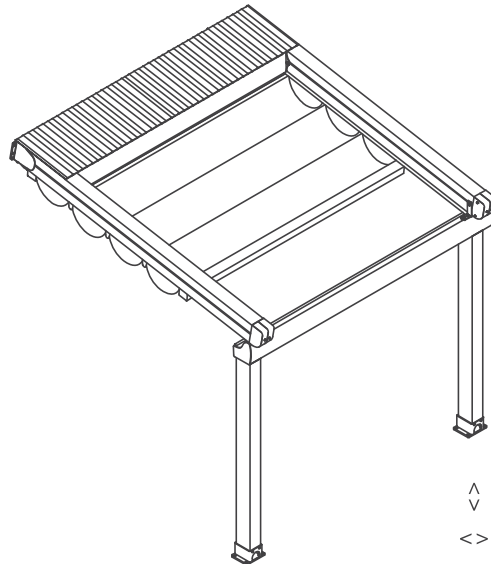
^ Max. 6mt
v
<> Max. 13mt

Novo



^ Max. 7mt
v
<> Max. 13mt

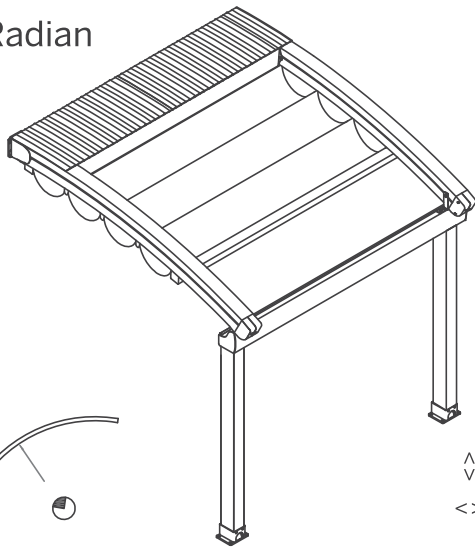
Smooth



^ Max. 10mt
v
<> Max. 13mt

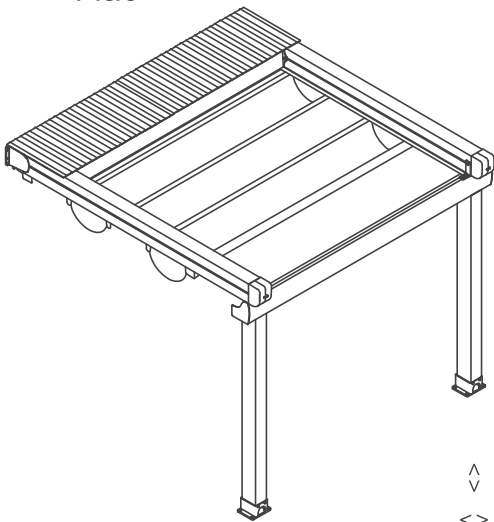
6 standard models and endless amount of custom models, custom made according to site requirements.

Radian



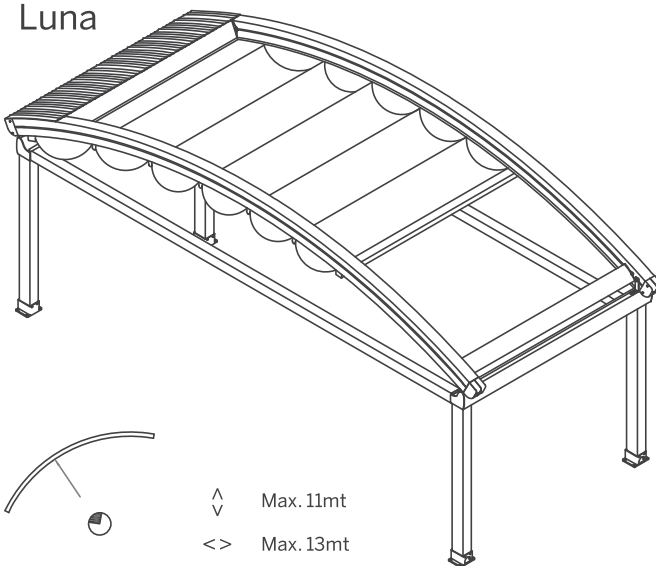
^ Max. 11mt
<> Max. 13mt

Flat



^ Max. 8mt
<> Max. 13mt

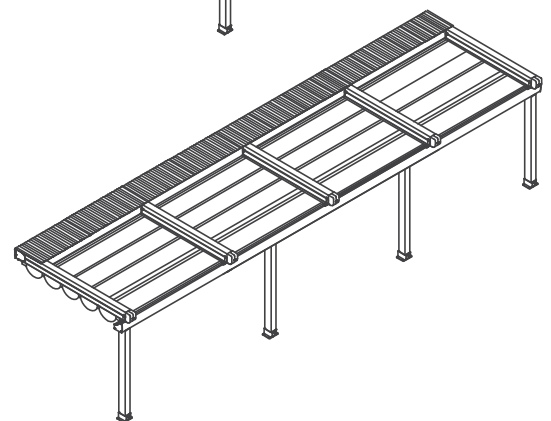
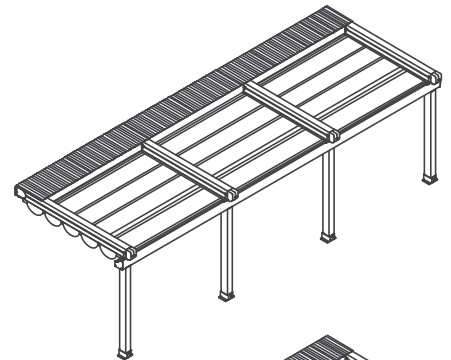
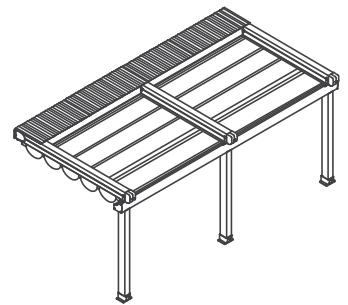
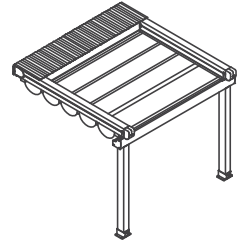
Luna



^ Max. 11mt
<> Max. 13mt

<> Width

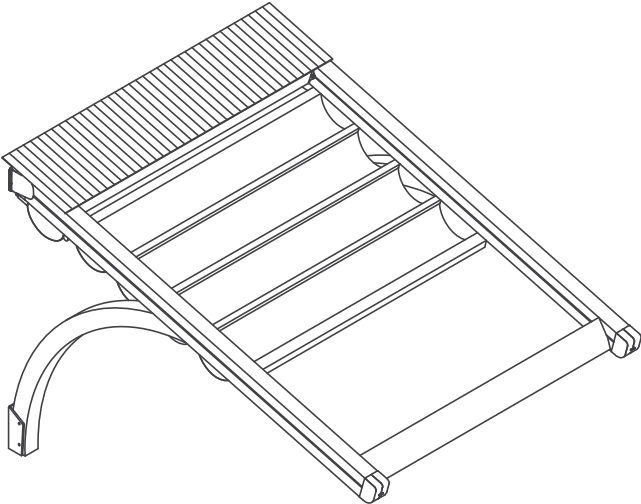
^ projection



Width up to 13 m in single fabric

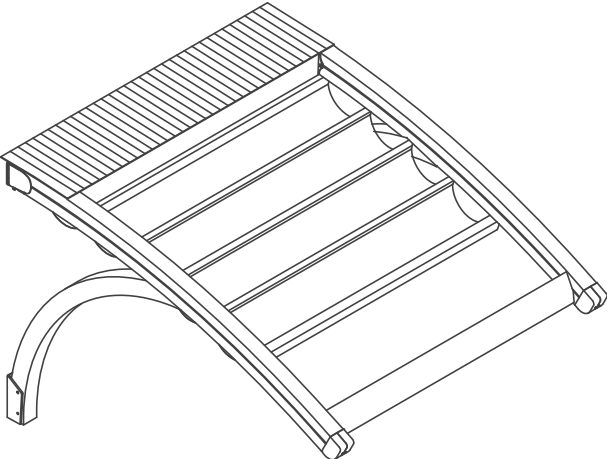
Overview

MN-1



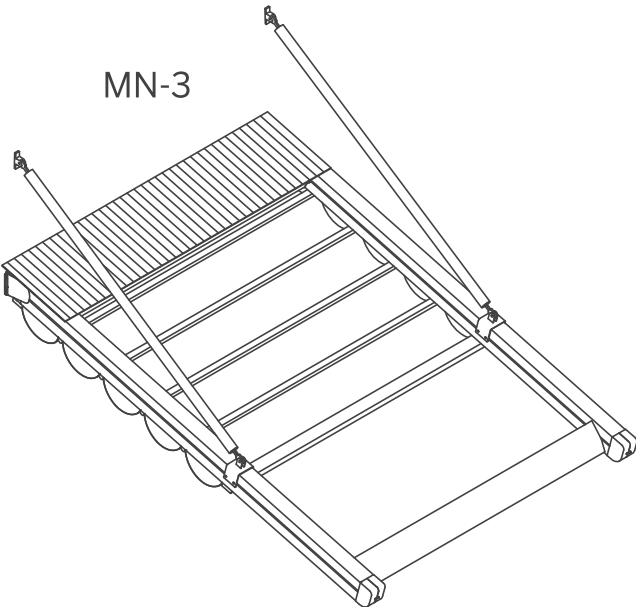
^ Max. 4.5mt
v
<> Max. 4.5mt

MN-2



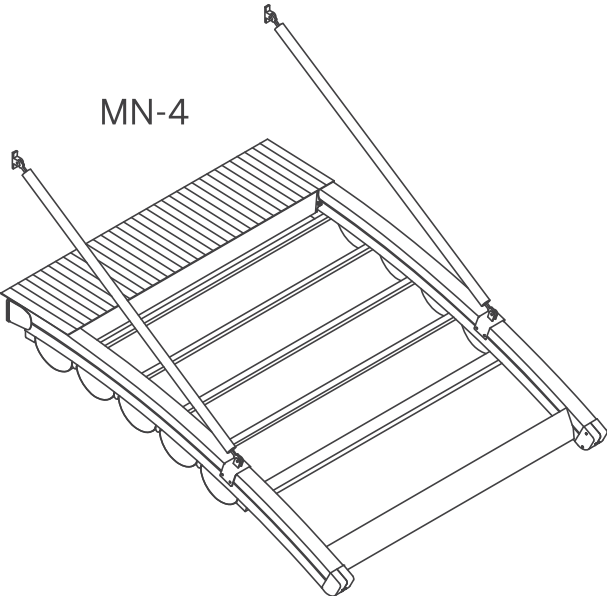
^ Max. 4.5mt
v
<> Max. 4.5mt

MN-3



^ Max. 5mt
v
<> Max. 13mt

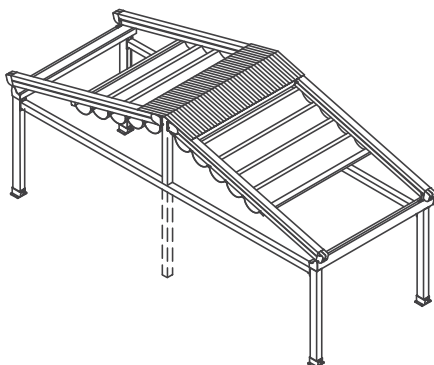
MN-4



^ Max. 5mt
v
<> Max. 13mt

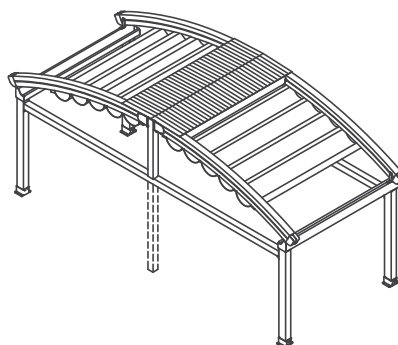
The Suntech range of site specific architectural models are designed to provide an elegant solution for any project.

TW-22



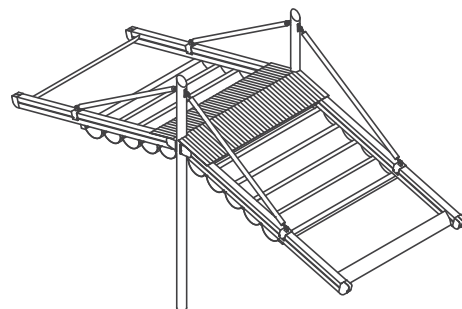
∧
∨ Max. 20mt
<> Max. 13mt

TW-33



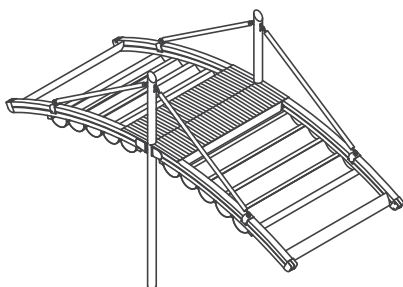
∧
∨ Max. 22mt
<> Max. 13mt

TW-44



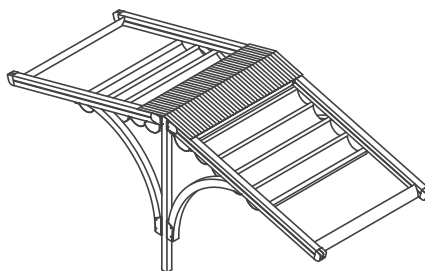
∧
∨ Max. 10mt
<> Max. 13mt

TW-55



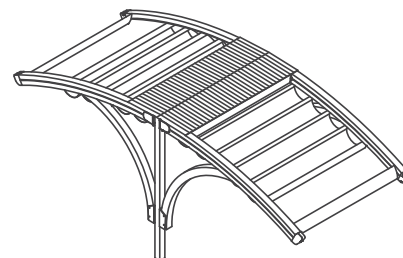
∧
∨ Max. 10mt
<> Max. 13mt

TW-66



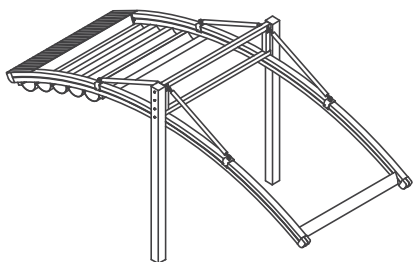
∧
∨ Max. 9mt
<> Max. 4.5mt

TW-88



∧
∨ Max. 9mt
<> Max. 4.5mt

TW-99

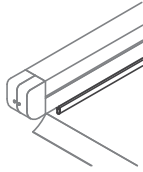


∧
∨ Max. 8mt
<> Max. 9mt

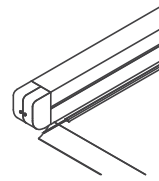
<> Width

∧
∨ projection

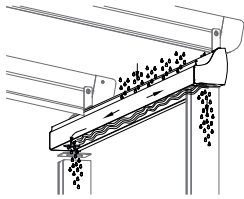
Overview



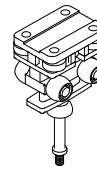
1-) Rafter stormguard edge seal



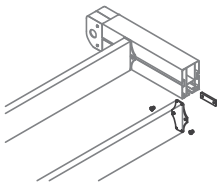
2-) Fabric anti-drop edge cord with electrical cable



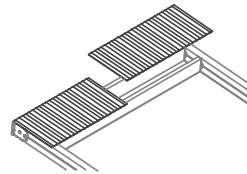
5-) Integrated gutter & internal drainage system



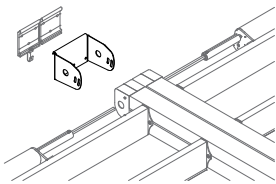
6-) F3 Eight wheel slider



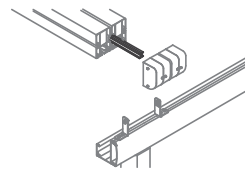
9-) Motorbox support & hood support profile easy installation



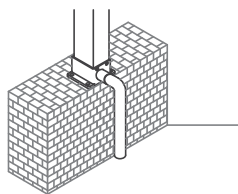
10-) Hood profile sheets



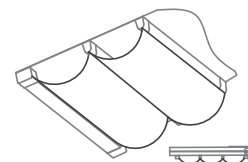
13-) Double rafter wall bracket kit



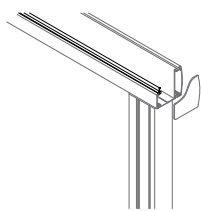
14-) Storm channel for joining system



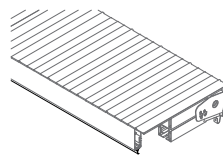
17-) Base plate with external spout



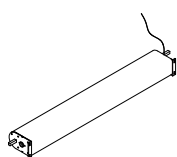
18-) Decorative fabric under layer



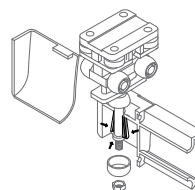
3-) Gutter Stormguard seal



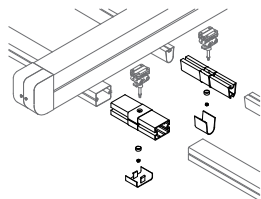
4-) Hood stormguard seal



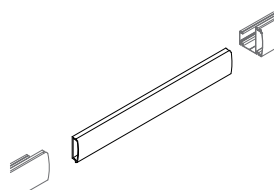
7-) Compact 26rpm direct drive motor box



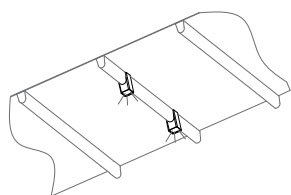
8-) F3 slider easy clip installation



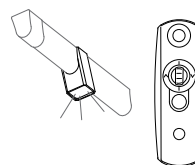
11-) Easy clip intermediate joints
(for 2 & 3 module systems)



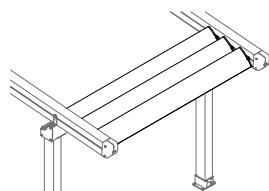
12-) Gutter profile joining piece



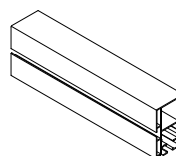
15-) LED-TEC high powered lighting



16-) LED-TEC dimmer setup



19-) Aerofoil Louvres



20-) Rafter profile with water guard side channels

Overview

Details & Optionals

	PURE	EVA	NOVO	SMOOTH	FLAT	RADIAN	LUNA
1-) Rafter stormguard edge seal	✓	✓	✓	✓	✓	✓	✓
2-) Fabric anti-drop edge cord with electrical cable	✓	✓	✓	✓	✓	✓	✓
3-) Gutter stormguard seal	-	✓	✓	✓	✓	✓	✓
4-) Hood stormguard seal	-	-	✓	✓	✓	✓	-
5-) Integrated gutter & internal drainage system	-	✓	✓	✓	✓	✓	✓
6-) F3 Eight wheel slider	✓	✓	✓	✓	✓	✓	✓
7-) Compact 26rpm direct drive motorbox	✓	✓	✓	✓	✓	✓	✓
8-) F3 slider easy clip installation	✓	✓	✓	✓	✓	✓	✓
9-) Motorbox support & hood support profile easy installation	✓	✓	✓	✓	✓	✓	✓
10-) Hood profile sheets	✓	✓	✓	✓	✓	✓	✓
11-) Easy clip intermate joints (for 2&3 module systems)	✓	✓	✓	✓	✓	✓	✓
12-) Gutter profile joining piece	-	✓	✓	✓	✓	✓	✓
13-) Double rafter wall bracket kit	-	✓	✓	✓	✓	✓	-
14-) Storm channel for joining system	-	-	✓	✓	✓	✓	✓
15-) LED-TEC high powered lighting	✓	✓	✓	✓	✓	✓	✓
16-) LED-TEC dimmer setup	✓	✓	✓	✓	✓	✓	✓
17-) Base plate with external spout	-	✓	✓	✓	✓	✓	✓
18-) Decorative fabric under layer	✓	✓	✓	✓	✓	✓	✓
19-) Aerofoil louvres	✓	✓	✓	✓	✓	✓	✓
20-) Rafter profile with water guard side channels	✓	✓	✓	✓	✓	✓	✓

MN1	MN2	MN3	MN4	TW22	TW33	TW44	TW55	TW66	TW88	TW99
√	√	√	√	√	√	√	√	√	√	√
√	√	√	√	√	√	√	√	√	√	√
√	√	√	√	√	√	√	√	√	√	√
√	√	√	√	√	√	√	√	√	√	-
-	-	-	-	√	√	-	-	-	-	-
√	√	√	√	√	√	√	√	√	√	√
√	√	√	√	√	√	√	√	√	√	√
√	√	√	√	√	√	√	√	√	√	√
√	√	√	√	√	√	√	√	√	√	√
√	√	√	√	√	√	√	√	√	√	√
√	√	√	√	√	√	√	√	√	√	√
-	-	√	√	√	√	√	√	-	-	√
-	-	√	√	√	√	√	√	-	-	-
-	-	√	√	√	√	√	√	-	-	-
-	-	√	√	√	√	√	√	-	-	-
√	√	√	√	√	√	√	√	√	√	√
√	√	√	√	√	√	√	√	√	√	√
-	-	-	-	√	√	-	-	-	-	-
√	√	√	√	√	√	√	√	√	√	√
√	√	√	√	√	√	√	√	√	√	√
√	√	√	√	√	√	√	√	√	√	√

Overview

A*-min.fall (cm)
Projection (P)

	PURE	EVA	NOVO	SMOOTH	FLAT	RADIAN	LUNA	MN1	MN2	MN3	MN4
300	496	496	645	671	-	866	623	511	706	511	705
350	557	557	706	733	-	1018	740	573	858	573	857
400	619	619	768	794	-	1112	814	634	952	634	951
450	680	680	829	856	-	1243	957	696	1083	696	1082
500	742	742	891	917	-	1363	878	-	-	757	1202
550	803	803	952	978	-	1462	1002	-	-	-	-
600	864	864	1013	1040	-	1538	882	-	-	-	-
650	915	-	1075	1101	-	1583	984	-	-	-	-
700	966	-	1136	1163	-	1778	997	-	-	-	-
750	1017	-	-	1224	-	1563	1101	-	-	-	-
800	1068	-	-	1285	-	1723	1086	-	-	-	-
850	1170	-	-	1347	-	1894	1189	-	-	-	-
900	1221	-	-	1408	-	2075	1137	-	-	-	-
950	1272	-	-	1470	-	1925	1234	-	-	-	-
1000	1323	-	-	1531	-	2087	1238	-	-	-	-
1050	-	-	-	-	-	2256	1202	-	-	-	-
1100	-	-	-	-	-	2436	1202	-	-	-	-

*Advised minimum dimension between front and back heights

N-fabric height (cm)
Projection (P)

	PURE	EVA	NOVO	SMOOTH	FLAT	RADIAN	LUNA	MN1	MN2	MN3	MN4
300	364	419	414	438	355	412	370	438	412	438	412
350	364	426	420	446	355	415	370	446	415	446	415
400	364	433	426	453	355	418	370	453	418	453	418
450	364	446	439	466	355	421	370	466	421	466	421
500	364	453	446	472	355	421	370	-	-	472	421
550	364	459	453	479	355	430	370	-	-	-	-
600	364	473	460	486	355	434	370	-	-	-	-
650	364	-	466	492	355	436	370	-	-	-	-
700	364	-	473	499	355	440	370	-	-	-	-
750	364	-	-	506	355	440	370	-	-	-	-
800	364	-	-	513	355	444	370	-	-	-	-
850	364	-	-	525	-	446	370	-	-	-	-
900	364	-	-	532	-	450	370	-	-	-	-
950	364	-	-	539	-	454	370	-	-	-	-
1000	364	-	-	546	-	457	370	-	-	-	-
1050	-	-	-	-	-	461	370	-	-	-	-
1100	-	-	-	-	-	465	370	-	-	-	-

A*-min.fall (cm) Projection (P)	TW22	TW33	TW44	TW55	TW66	TW88
600	671	866	511	705	511	706
700	733	1018	573	857	573	858
800	794	1112	634	951	634	952
900	856	1243	696	1082	696	1083
1000	917	1363	757	1202	-	-
1100	978	1462	-	-	-	-
1200	1040	1538	-	-	-	-
1300	1101	1583	-	-	-	-
1400	1163	1778	-	-	-	-
1500	1224	1563	-	-	-	-
1600	1285	1723	-	-	-	-
1700	1347	1894	-	-	-	-
1800	1408	2075	-	-	-	-
1900	1470	1925	-	-	-	-
2000	1531	2087	-	-	-	-
2100	-	2256	-	-	-	-
2200	-	2436	-	-	-	-

A*-min.fall (cm) Projection (P)	TW99
300	463
400	654
500	718
600	722
700	837
800	926

N-fabric height (cm) Projection (P)	TW22	TW33	TW44	TW55	TW66	TW88
600	438	412	438	412	438	412
700	446	415	446	415	446	415
800	453	418	453	418	453	418
900	466	421	466	421	466	421
1000	472	421	472	421	-	-
1100	479	430	-	-	-	-
1200	486	434	-	-	-	-
1300	492	436	-	-	-	-
1400	499	440	-	-	-	-
1500	506	440	-	-	-	-
1600	513	444	-	-	-	-
1700	525	446	-	-	-	-
1800	532	450	-	-	-	-
1900	539	454	-	-	-	-
2000	546	457	-	-	-	-
2100	-	461	-	-	-	-
2200	-	465	-	-	-	-

N-fabric height (cm) Projection (P)	TW99
300	370
400	370
500	370
600	370
700	370
800	370

Overview

L - hood size (cm)

Projection (P)

	PURE	EVA	NOVO	SMOOTH	FLAT	RADIAN	LUNA	MN1	MN2	MN3	MN4
300	558	613	651	646	633	707	755	646	707	646	707
350	613	668	706	701	688	745	744	701	745	701	745
400	668	723	761	756	743	801	848	756	801	756	801
450	778	833	871	866	853	857	968	866	857	866	857
500	833	888	926	921	908	908	950	-	-	921	908
550	888	943	981	976	963	1027	1078	-	-	-	-
600	943	1053	1036	1031	1018	1083	1178	-	-	-	-
650	998	-	1091	1086	1073	1133	1192	-	-	-	-
700	1053	-	1146	1141	1183	1190	1288	-	-	-	-
750	1108	-	-	1196	1238	1241	1406	-	-	-	-
800	1163	-	-	1251	1293	1297	1390	-	-	-	-
850	1273	-	-	1361	-	1342	1493	-	-	-	-
900	1328	-	-	1416	-	1409	1502	-	-	-	-
950	1383	-	-	1471	-	1459	1612	-	-	-	-
1000	1438	-	-	1526	-	1572	1635	-	-	-	-
1050	-	-	-	-	-	1626	1726	-	-	-	-
1100	-	-	-	-	-	1682	1724	-	-	-	-

*Advised minimum dimension between front and back heights

Fabric support profiles -pc

Projection (P)

	PURE	EVA	NOVO	SMOOTH	FLAT	RADIAN	LUNA	MN1	MN2	MN3	MN4
300	7	7	7	7	7	8	9	7	8	7	8
350	8	8	8	8	8	9	9	8	9	8	9
400	9	9	9	9	9	10	11	9	10	9	10
450	11	11	11	11	11	11	13	11	11	11	11
500	12	12	12	12	12	12	13	-	-	12	12
550	13	13	13	13	13	14	15	-	-	-	-
600	14	14	14	14	14	15	17	-	-	-	-
650	15	-	15	15	15	16	17	-	-	-	-
700	16	-	16	16	17	17	19	-	-	-	-
750	17	-	-	17	18	18	21	-	-	-	-
800	18	-	-	18	19	19	21	-	-	-	-
850	20	-	-	20	-	20	23	-	-	-	-
900	21	-	-	21	-	21	23	-	-	-	-
950	22	-	-	22	-	22	25	-	-	-	-
1000	23	-	-	23	-	24	25	-	-	-	-
1050	22	-	-	22	-	25	27	-	-	-	-
1100	23	-	-	23	-	26	27	-	-	-	-

L - hood size (cm)

Projection (P)	TW22	TW33	TW44	TW55	TW66	TW88
600	706	805	706	767	646	707
700	761	805	761	805	701	745
800	816	861	816	861	756	801
900	926	917	926	917	866	857
1000	981	968	981	968	-	-
1100	1036	1087	-	-	-	-
1200	1091	1143	-	-	-	-
1300	1146	1193	-	-	-	-
1400	1201	1250	-	-	-	-
1500	1256	1301	-	-	-	-
1600	1311	1357	-	-	-	-
1700	1421	1402	-	-	-	-
1800	1476	1469	-	-	-	-
1900	1531	1519	-	-	-	-
2000	1586	1632	-	-	-	-
1050	-	1686	-	-	-	-
1100	-	1742	-	-	-	-

L - hood size (cm)

Projection (P)	TW99
300	755
400	848
500	950
600	1178
700	1288
800	1390

Fabric support profiles -pc

Projection (P)	TW22	TW33	TW44	TW55	TW66	TW88
600	14	16	14	16	14	16
700	16	18	16	18	16	18
800	18	20	18	20	18	20
900	22	22	22	22	22	22
1000	24	24	24	24	-	-
1100	26	28	-	-	-	-
1200	28	30	-	-	-	-
1300	30	32	-	-	-	-
1400	32	34	-	-	-	-
1500	34	36	-	-	-	-
1600	36	38	-	-	-	-
1700	40	40	-	-	-	-
1800	42	42	-	-	-	-
1900	44	44	-	-	-	-
2000	46	48	-	-	-	-
1050	-	50	-	-	-	-
1100	-	52	-	-	-	-

Fabric support profiles -pc

Projection (P)	TW99
300	9
400	11
500	13
600	17
700	19
800	21

Overview

		A Width											
cm		250	300	400	500	600	700	800	900	1000	1100	1200	1300
Projection (P) cm	250	11	11	11	11	11	11	11	11	11	11	11	11
	300	11	11	11	11	11	11	11	11	11	11	11	11
	350	11	11	11	11	11	11	11	11	11	11	11	11
	400	11	11	11	11	11	11	11	11	11	11	11	11
	450	11	11	11	11	11	11	11	11	11	11	11	11
	500	11	11	11	11	11	11	11	11	11	11	11	10
	550	11	11	11	11	11	11	11	11	11	11	10	10
	600	11	11	11	11	11	11	11	10	11	10	10	10
	650	11	11	11	11	11	11	11	10	10	10	10	9
	700	11	11	11	11	11	11	11	10	10	10	9	9
	750	11	11	11	11	11	11	11	10	10	9	9	9
	800	11	11	11	11	11	10	10	9	10	9	9	9
	850	11	11	10	11	10	10	9	9	9	9	9	8
	900	11	10	10	10	10	10	9	9	9	9	8	8
	950	10	10	10	10	10	9	9	8	9	8	8	8
	1000	10	10	10	10	9	9	8	8	8	8	8	8
	1100	10	10	10	9	9	9	8	8	8	8	8	7

1 Module

2 Module

3 Module

Beaufort No	Wind Speed km/h	Condition
0	< 1	Calm
1	1 < 5	Light air
2	6 < 11	Light breeze
3	12 < 19	Gentle breeze
4	20 < 28	Moderate breeze
5	29 < 38	Fresh breeze
6	39 < 49	Strong breeze
7	50 < 61	Strong gale
8	62 < 74	Fresh gale
9	75 < 88	Strong gale
10	89 < 102	Whole gale
11	103 < 117	Storm
12	> 118	Hurricane